



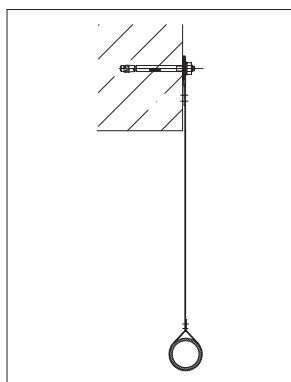
CM

brandschutz. perfekt. anders.

Smoke- and Fireprotection curtains

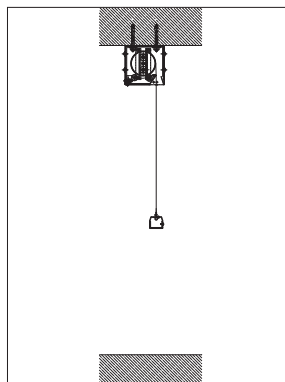
Technics 04.2022

Systems overview



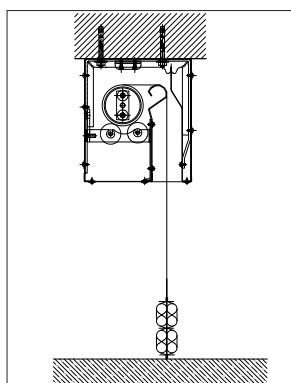
26-8001 Type RST 73
Static smoke barrier

CE certified



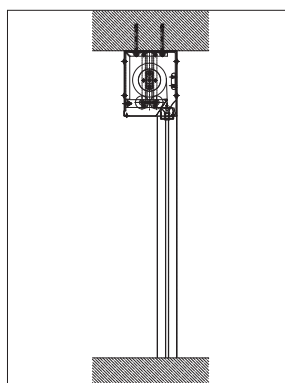
26-8006 Type RSS 74
Smoke barrier

CE certified



26-8006 Type RSS 74
Stripe curtain
Passable smoke barrier

CE certified

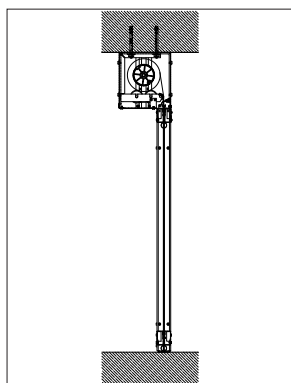


26-8011 Type RSR 75
Roller guidance

26-8016 Type RSR 75.1
Rod guidance

Smoke barrier

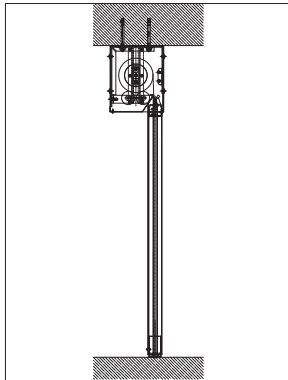
CE certified



26-8021 Type RSA
Smoke-tight closure

CE certified, smoke-tight

System overview

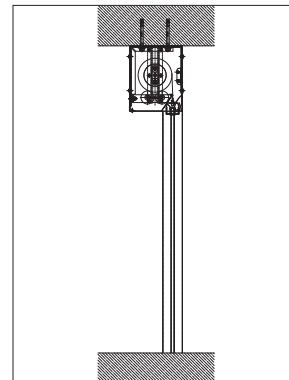


26-8026 Type BSV E
Roller guidance

26-8031 Type BSV E
Rod guidance

Fire barrier

CE certified

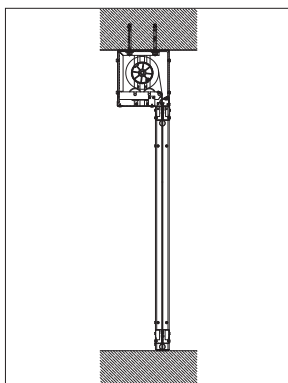


26-8026 Type BSV EW
Roller guidance

26-8031 Type BSV EW
Rod guidance

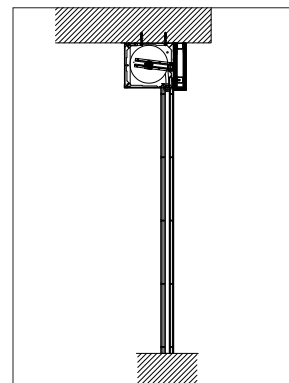
Fire barrier

CE certified



26-8036 Type BSV RS
Fire barrier

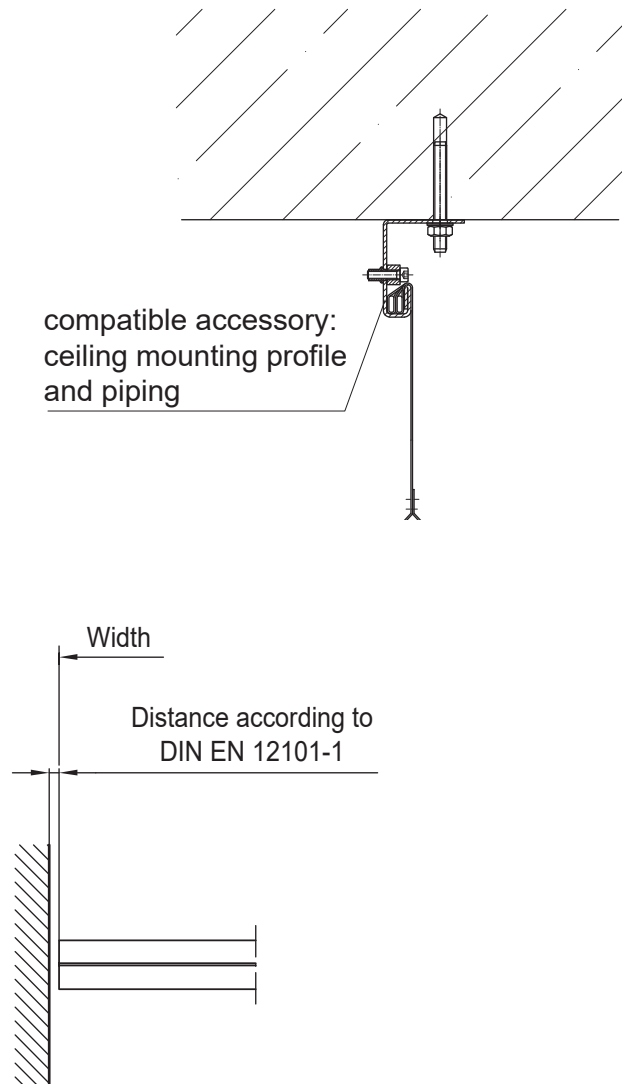
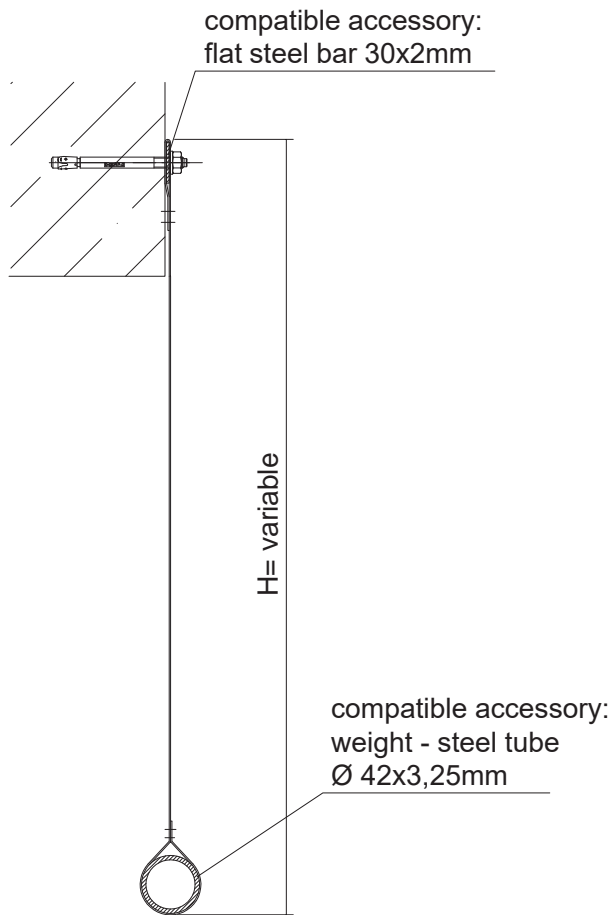
CE certified, smoke-tight



26-8051 Type BSV EI
Insulating fire barrier

CE certified

26-8001 Type RST 73 Static smoke barrier



Test certificate: EN 12101-1

Fabric: Glass filament fabric, non-flammable
DIN 4102-2 A2 / AbZ

Version: Fabric with upper and lower hemstitch

Mounting options: Wall mounting, galvanised sheet steel,
ceiling mounting profile with sheet steel

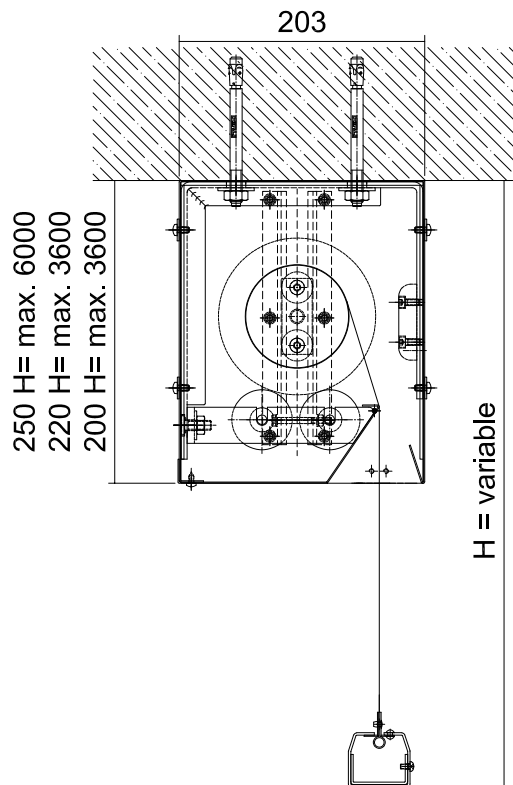
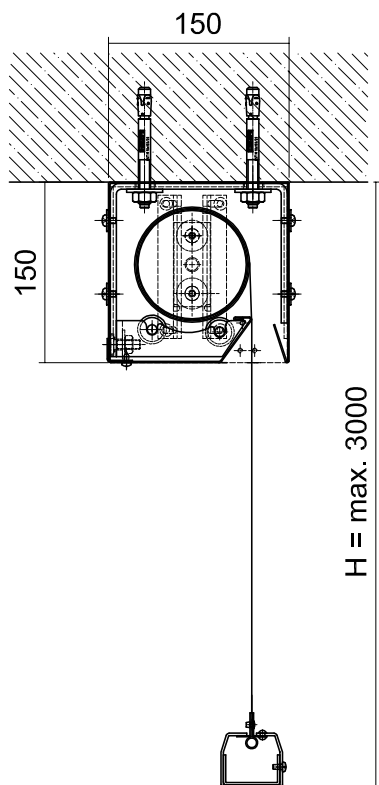
26-8001 Type RST 73 Static smoke barrier

Size up to 100 x 8 m

Classification: D 180 / DH 60

Approval: CE certified

26-8006 Type RSS 74 Smoke barrier



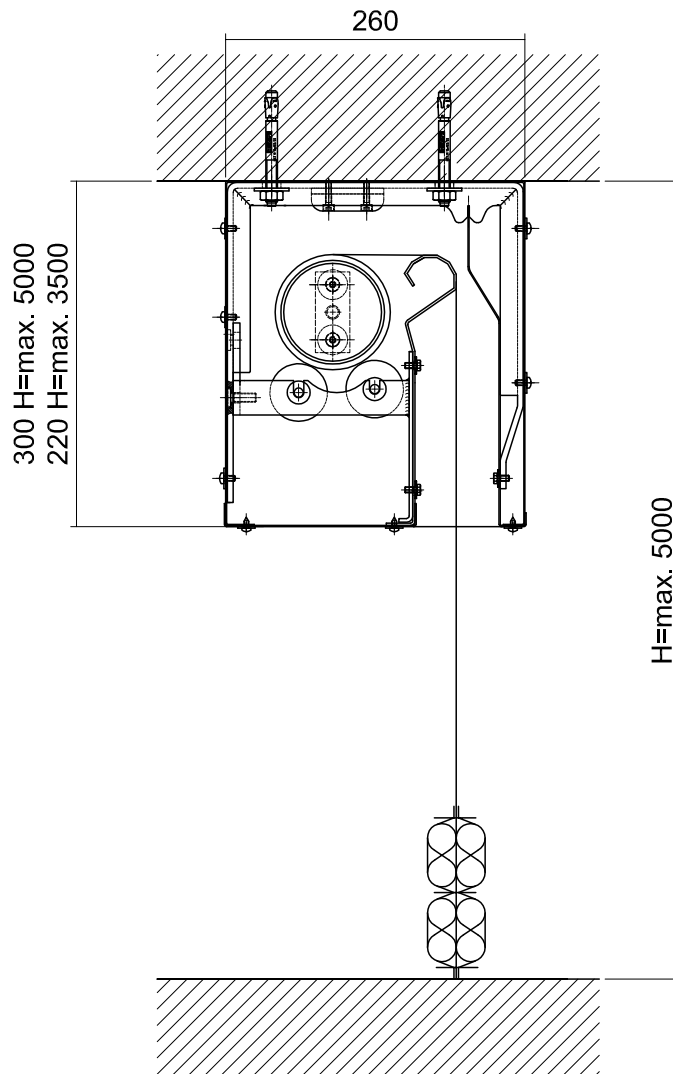
- Test certificate:** EN 12101-1
- Fabric:** Glass filament fabric, non-flammable
DIN 4102-2 A2 / AbZ
- Version:** Free falling, without external power,
by gravity
- Drive:** Tubular motor 24V Fail Safe or Standard
Tubular motor 230V Fail Safe or Standard
- Mounting options:** ceiling-, wall-, reveal- and suspended
from the ceiling

26-8006 Type RSS 74 Smoke barrier

Housing size 150 x 150 up to system size 6 x 3 m
Housing size 203 x 200 / 220 / 250
max. system size on request

- Type:** ASB 1 - ASB 4
- Classification:** D 180 / DH 60
- Approval:** CE certified

26-8006 Type RSS 74 Stripe curtain, passable smoke barrier



Test certificate: EN 12101-1

Fabric: Glass filament fabric, non-flammable
DIN 4102-2 A2 / AbZ

Version: Free falling, without external power,
by gravity

Drive: Tubular motor 230V Fail Safe
Tubular motor 24V Standard

Mounting options: ceiling-, wall-, reveal- and suspended
from the ceiling

26-8006 Type RSS 74 Stripe curtain, passable smoke barrier

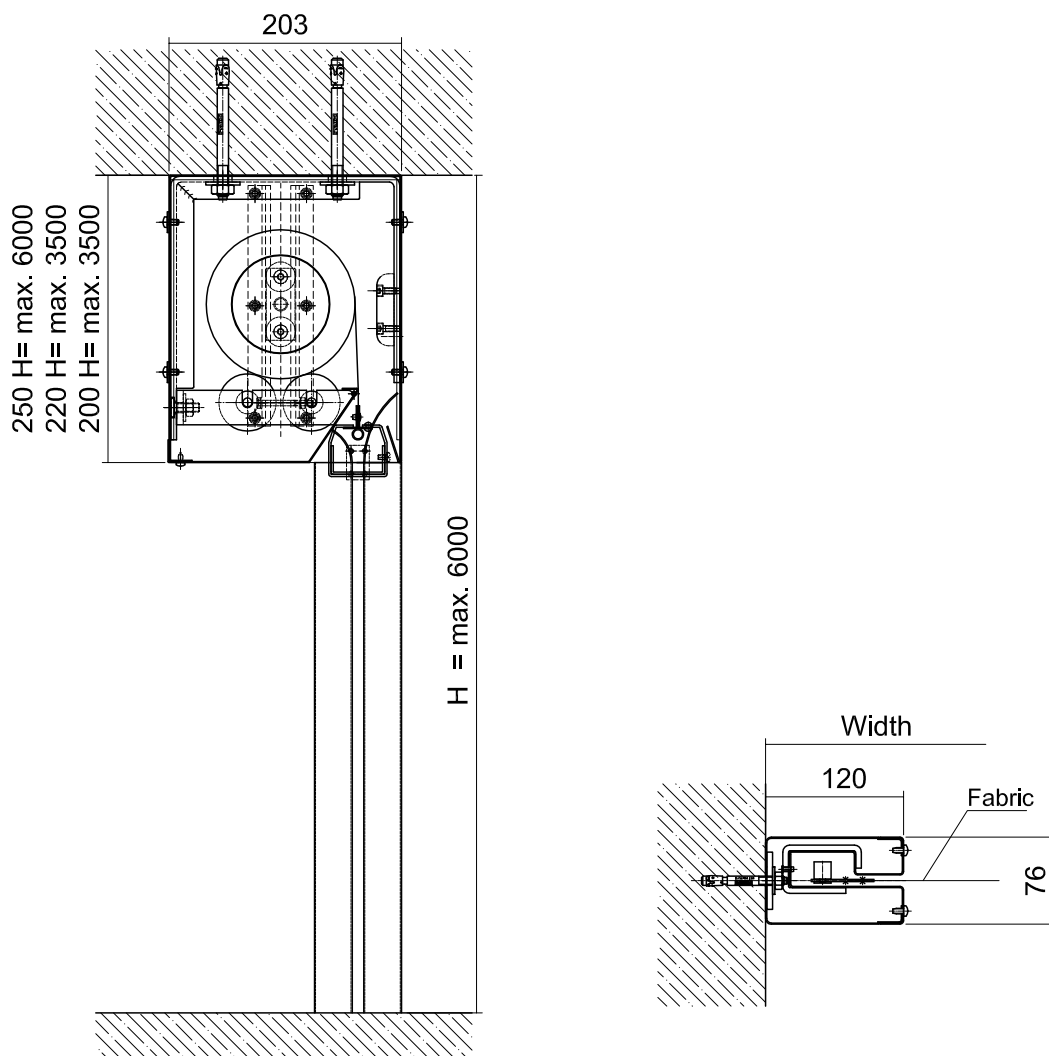
Housing size 260 x 220 / 300
max. system size on request

Type: ASB 1 – ASB 4

Classification: D 180 / DH 60

Approval: CE certified

26-8011 Type RSR 75 Smoke barrier



Test certificate: EN 12101-1

Fabric: Glass filament fabric, non-flammable
DIN 4102-2 A2 / AbZ

Version: Free falling, without external power,
by gravity, with lateral, edged,
guide rails with roller guidance

Drive: Tubular motor 24V Fail Safe or Standard
Tubular motor 230V Fail Safe or Standard

Mounting options: ceiling-, wall-, reveal- and suspended
from the ceiling

26-8011 Type RSR 75 Smoke barrier

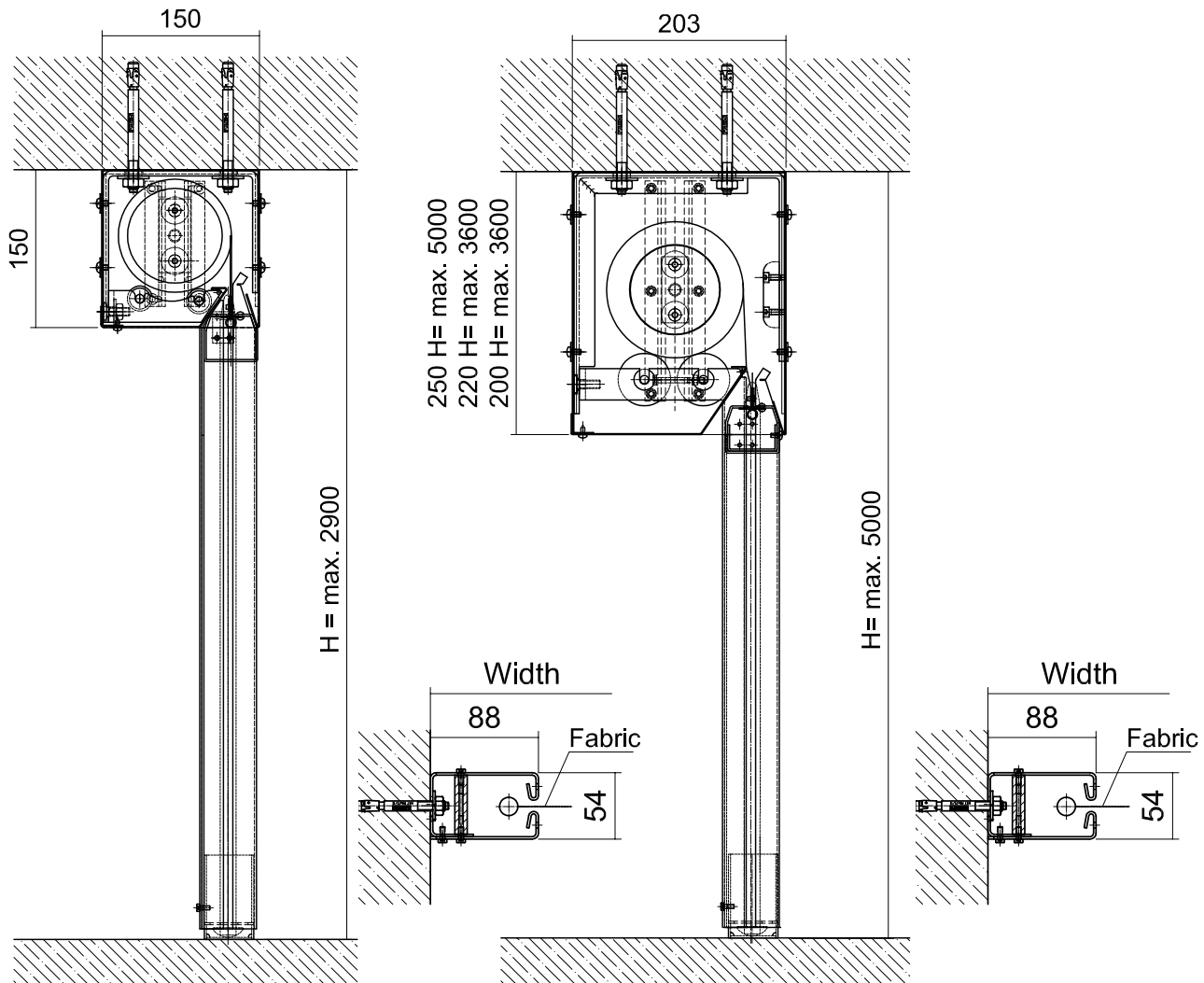
Housing size 203 x 200 / 220 / 250
max. system size on request

Type: ASB 3 - ASB 4

Classification: D 180 / DH 60

Approval: CE certified

26-8016 Type RSR 75.1 Smoke barrier



Test certificate: EN 12101-1

Fabric: Glass filament fabric, non-flammable
DIN 4102-2 A2 / AbZ

Version: Free falling, without external power,
by gravity, with lateral, edged,
guide rails with rod guidance

Drive: Tubular motor 24V Fail Safe or Standard
Tubular motor 230V Fail Safe or Standard

Mounting options: ceiling-, wall-, reveal- and suspended
from the ceiling

26-8011 Type RSR 75.1 Smoke barrier

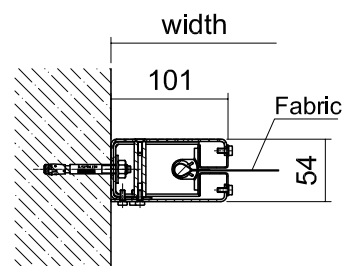
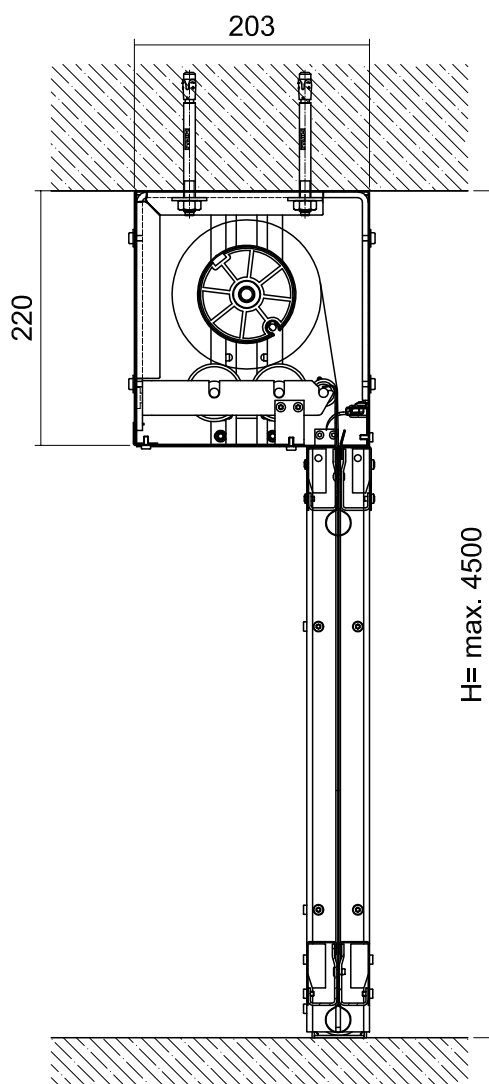
Housing size 150 x 150 up to system size 6 x 2,9 m
Housing size 203 x 200 / 220 / 250
max. system size on request

Type: ASB 3 - ASB 4

Classification: D 180 / DH 60

Approval: CE certified

26-8021 Type Smoke-tight closure RSA



Fabric: Glass filament fabric, non-flammable
DIN 4102-2 A2 / AbZ

Version: Free falling, without external power,
by gravity, with lateral, edged,
guide rails with rod guidance

Drive: Tubular motor 24V Fail Safe
Tubular motor 230V Fail Safe

Mounting options: ceiling-, wall-, reveal- and suspended
from the ceiling

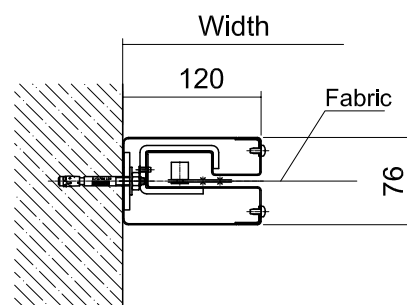
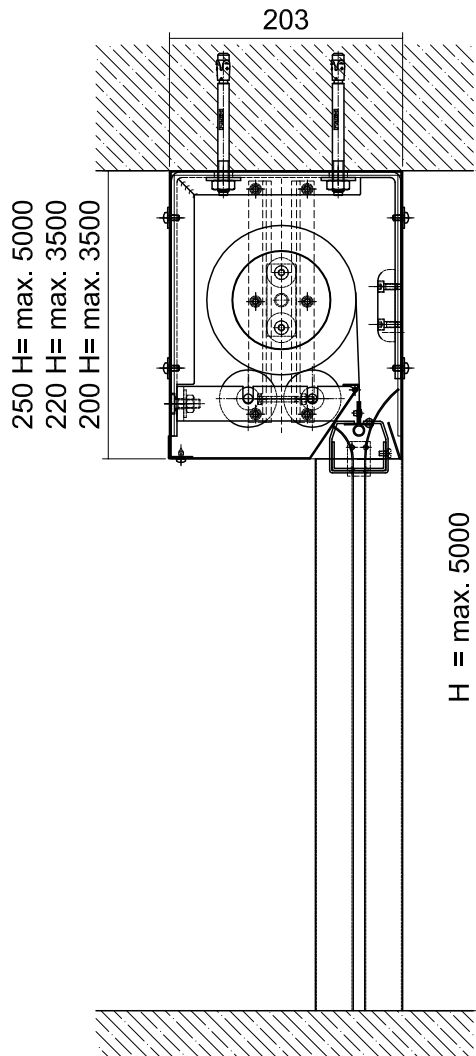
26-8021 Type Smoke-tight closure RSA

Housing size 203 x 220 up to system size 7,2 x 4,5 m
max. system size on request

Classification: Sa according to EN 16034

Approval: CE certified

26-8026 Type BSV E Fire barrier



Fabric: Glass filament fabric with stainless steel non flammable, DIN 4102-2 A2 / AbZ

Version: Free falling, without external power, by gravity, with lateral, edged, guide rails with roller guidance

Drive: Tubular motor 24V Fail Safe
Tubular motor 230V Fail Safe

Mounting options: ceiling-, wall-, reveal- and suspended from the ceiling

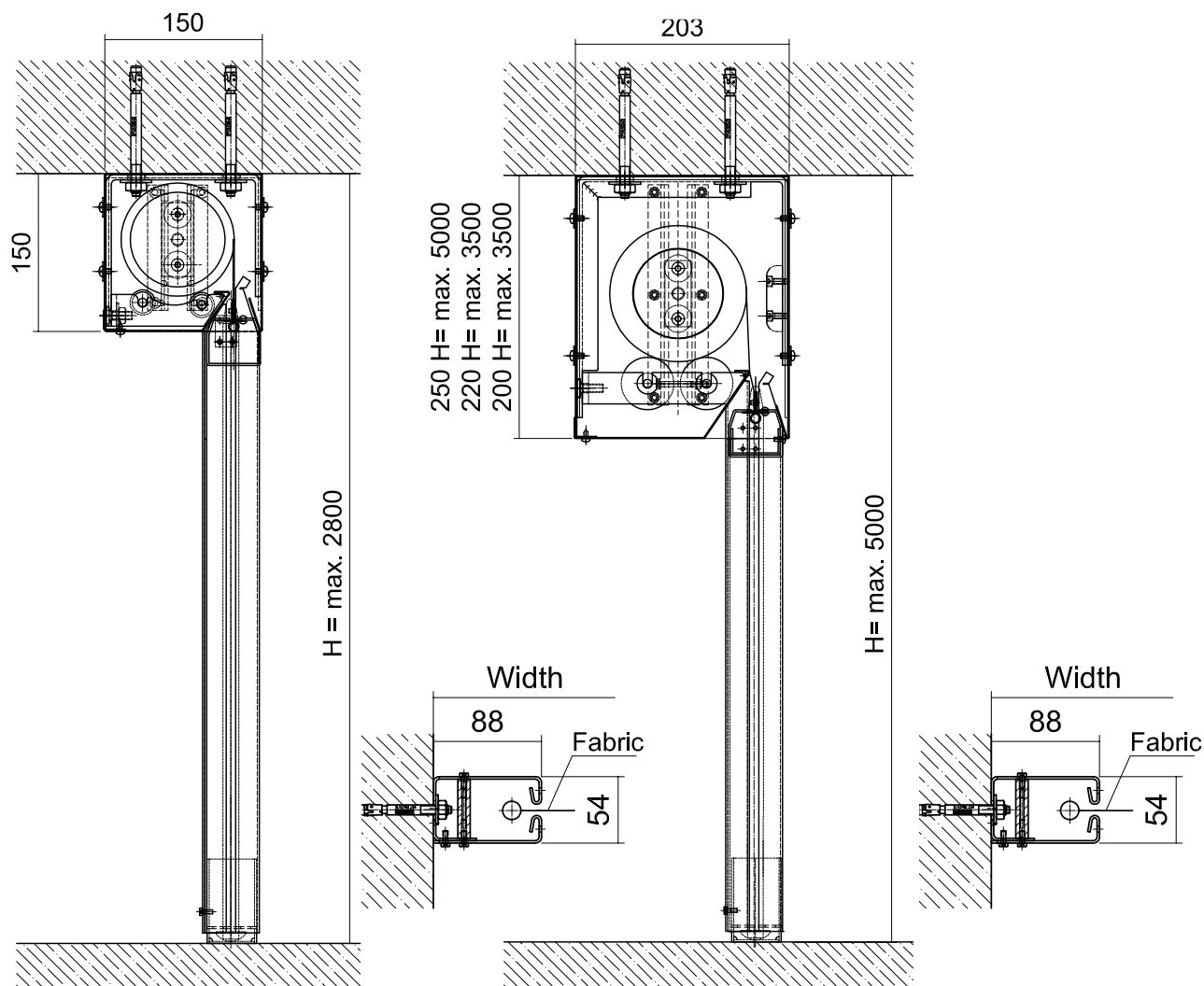
26-8026 Type BSV E Fire barrier

Housing size 203 x 200 / 220 / 250
max. system size on request

Classification: E 30 - E 180 / C2

Approval: CE certified

26-8031 Typ BSV E Fire barrier



Fabric: Glass filament fabric with stainless steel non flammable, DIN 4102-2 A2 / AbZ

Version: Free falling, without external power, by gravity, with lateral, edged, guide rails with rod guidance

Drive: Tubular motor 24V Fail Safe
Tubular motor 230V Fail Safe

Mounting options: ceiling-, wall-, reveal- and suspended from the ceiling

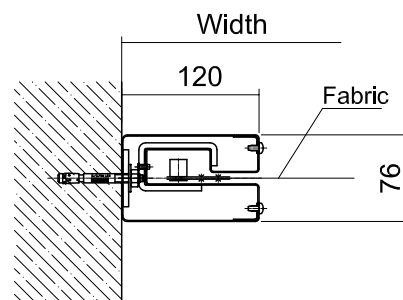
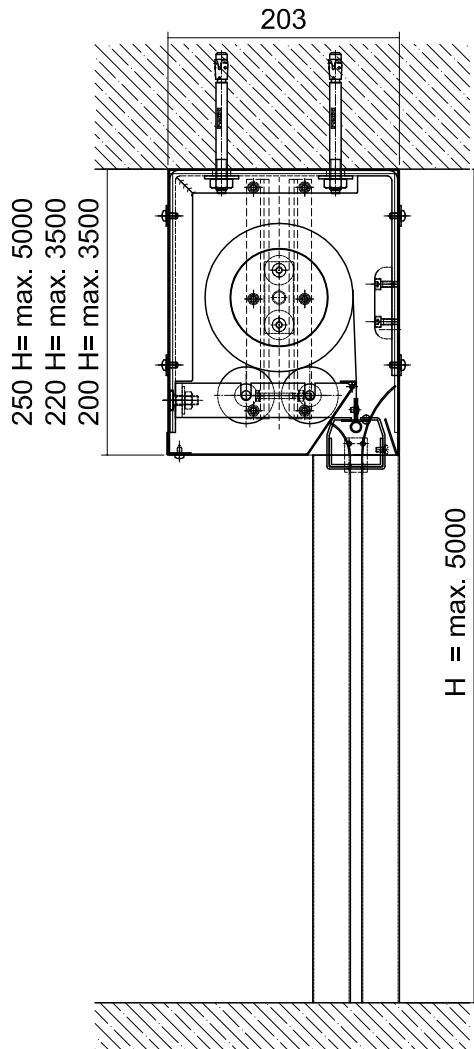
26-8026 Type BSV E Fire barrier

Housing size 150 x 150 up to system size 6 x 2,8 m
Housing size 203 x 200 / 220 / 250
max. system size on request

Classification: E 30 - E 180 / C2

Approval: CE certified

26-8026 Type BSV EW Fire barrier



Fabric: Glass filament fabric with stainless steel PU coating, one-sided aluminium-laminated

Version: Free falling, without external power, by gravity, with lateral, edged, guide rails with roller guidance

Drive: Tubular motor 24V Fail Safe
Tubular motor 230V Fail Safe

Mounting options: ceiling-, wall-, reveal- and suspended from the ceiling

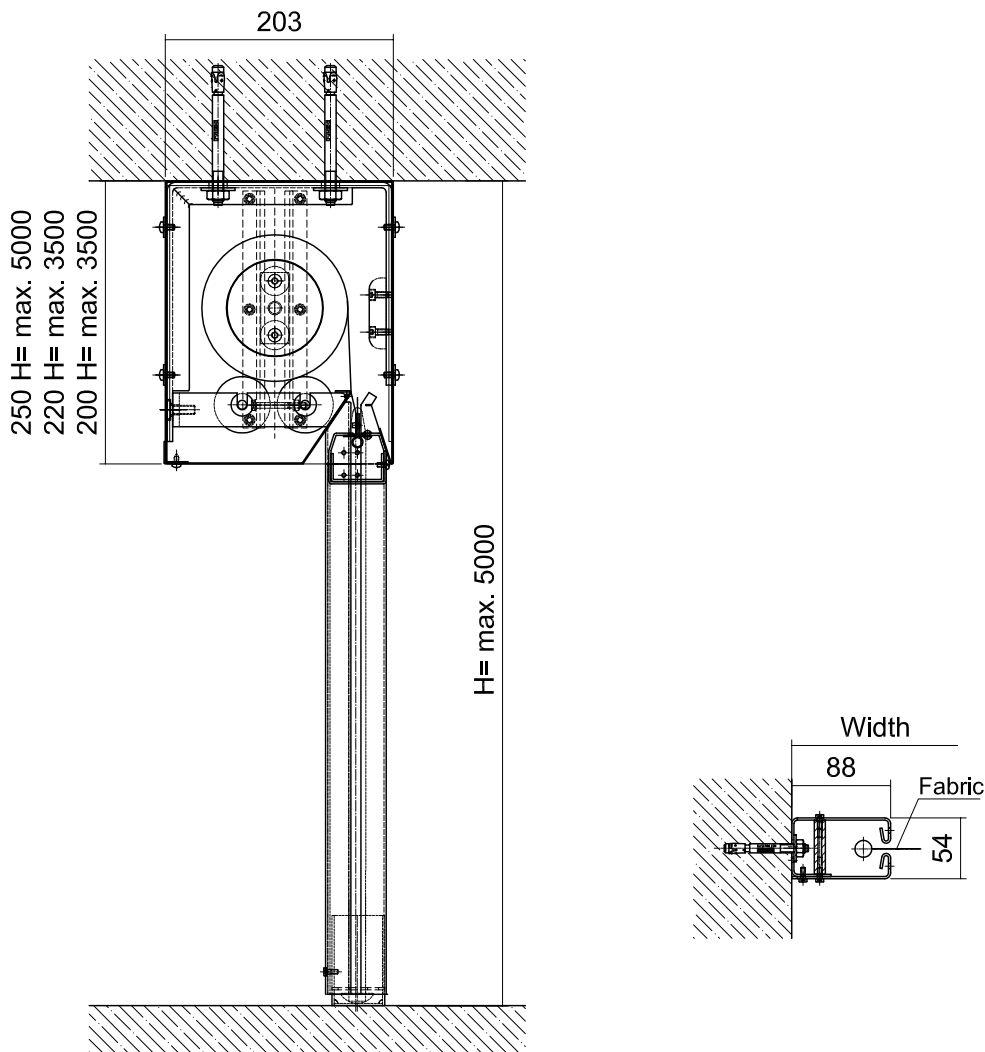
26-8026 Type BSV EW Fire barrier

Housing size 203 x 200 / 220 / 250
max. system size on request

Classification: EW 20 – EW 120 / C2

Approval: CE certified

26-8031 Type BSV EW Fire barrier



Fabric: Glass filament fabric with stainless steel PU coating, one-sided aluminium-laminated

Version: Free falling, without external power, by gravity, with lateral, edged, guide rails with rod guidance

Drive: Tubular motor 24V Fail Safe
Tubular motor 230V Fail Safe

Mounting options: ceiling-, wall-, reveal- and suspended from the ceiling

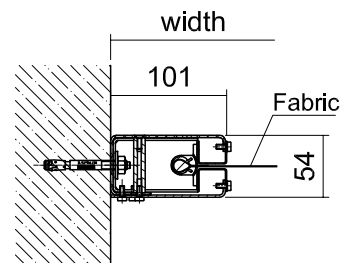
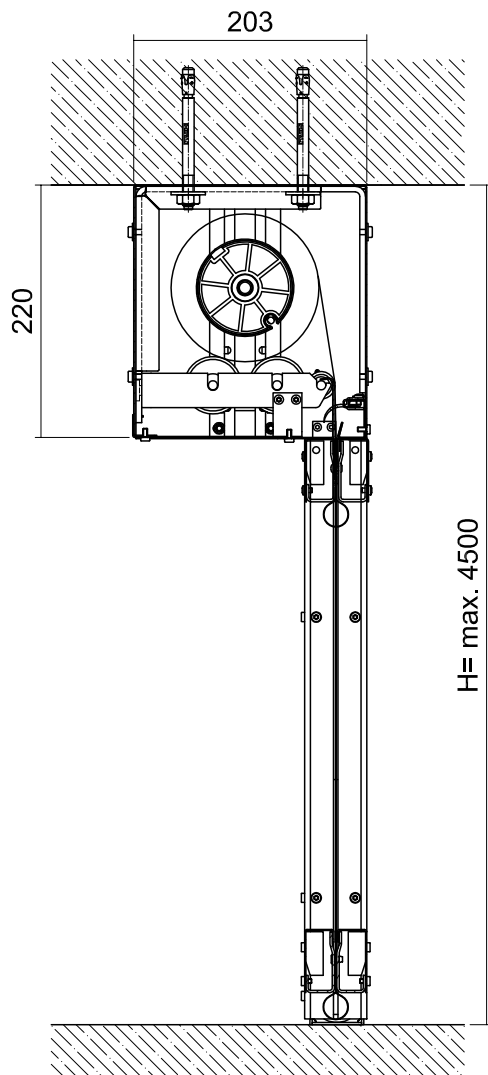
26-8031 Type BSV EW Fire barrier

Housing size 203 x 200 / 220 / 250
max. system size on request

Classification: EW 20 – EW 120 / C2

Approval: CE certified

26-8036 Type BSV RS Fire barrier



Fabric: Glass filament fabric, non-flammable
DIN 4102-2 A2 / AbZ

Version: Free falling, without external power,
by gravity, with lateral, edged,
guide rails with rod guidance

Drive: Tubular motor 24V Fail Safe
Tubular motor 230V Fail Safe

Mounting options: ceiling-, wall-, reveal- and suspended
from the ceiling

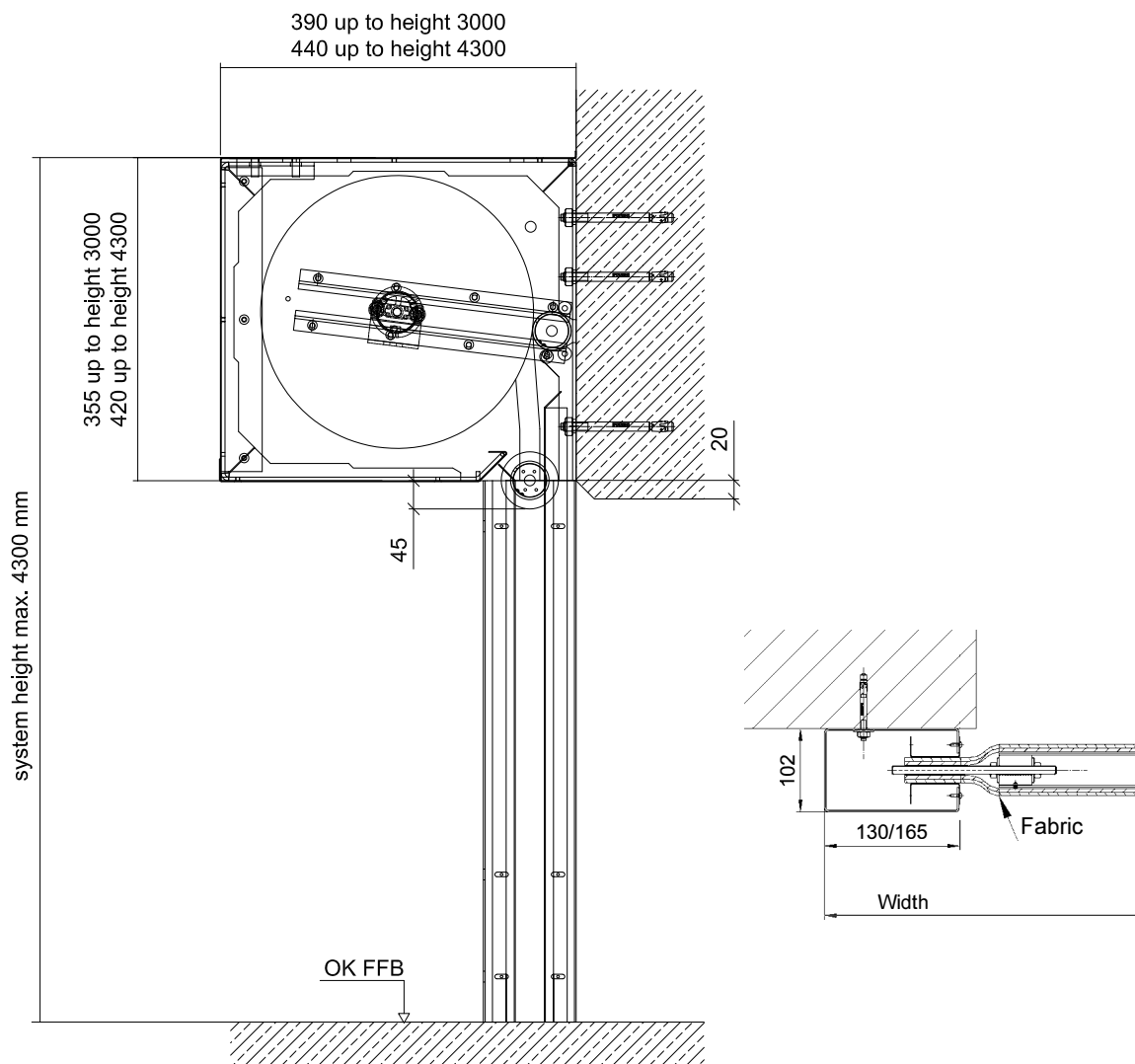
26-8036 Type BSV RS Fire barrier, smoke-tight

Housing size 203 x 220
max. system size on request

Classification: E 30 - E 180 / Sa / C2

Approval: CE certificated

26-8051 Type BSV EI Insulating fire barrier



Fabric: Fabric multi-layered with needle fleece and textured E-glass, coated with Intum and laminated with aluminum foil

Version: Free falling, without external power, by gravity, with lateral, edged, guide rails

Drive: Tubular motor 230V Fail Safe

Mounting options: ceiling- and wallmounting

26-8051 Type BSV EI Insulating fire barrier

Housing size 390 x 355 and 440 x 420
max. system size on request

Classification: EI 30 / C

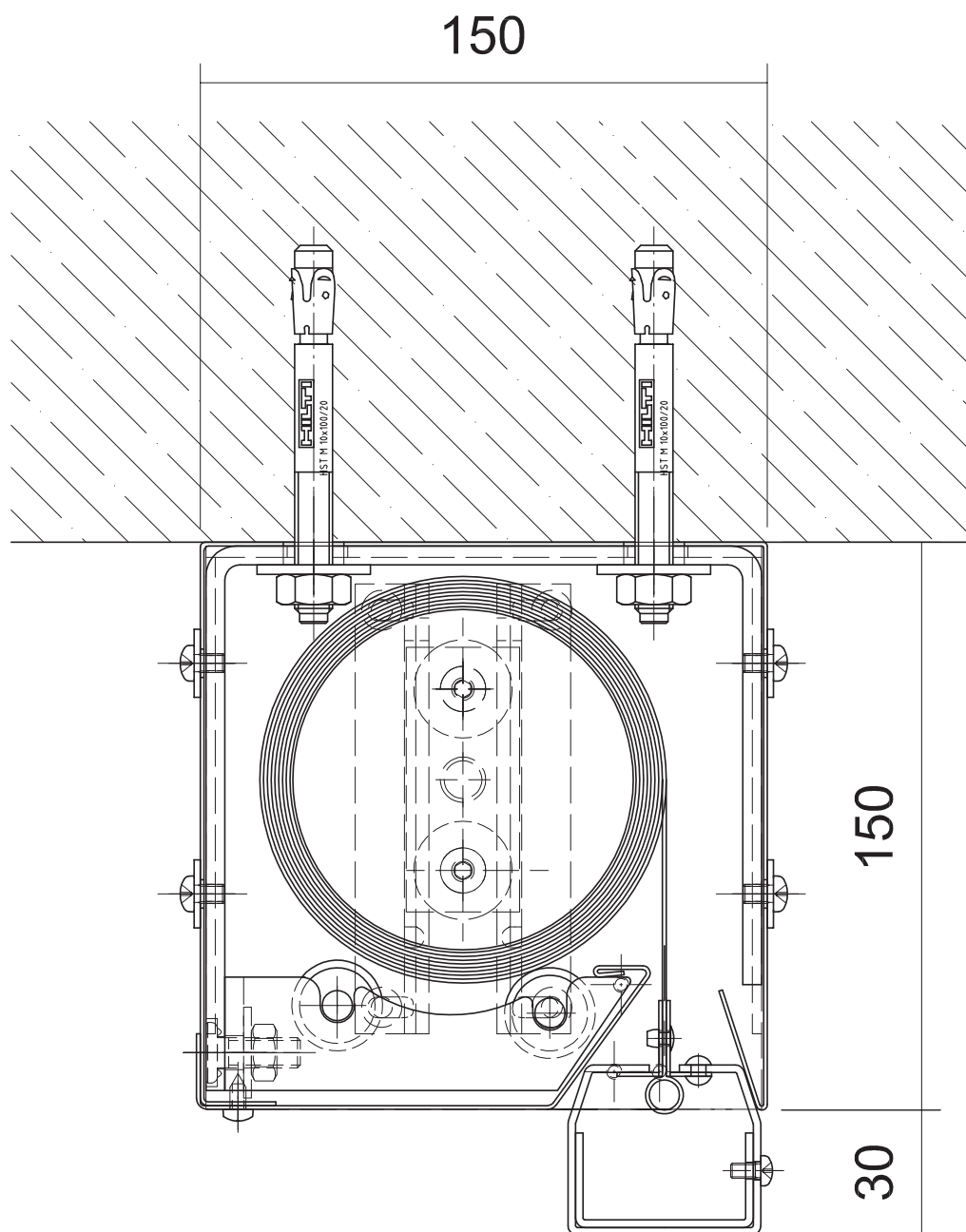
Approval: CE certificated

Standard housing 150 x 150

Housing for systems:

- RSS 74 up to max. systemsize 6 x 3,0 m
- RSR 75.1 up to max. systemsize 6 x 2,9 m
- BSV E up to max. systemsize 6 x 2,8 m

max. system size on request



Standard housing 203 x 200

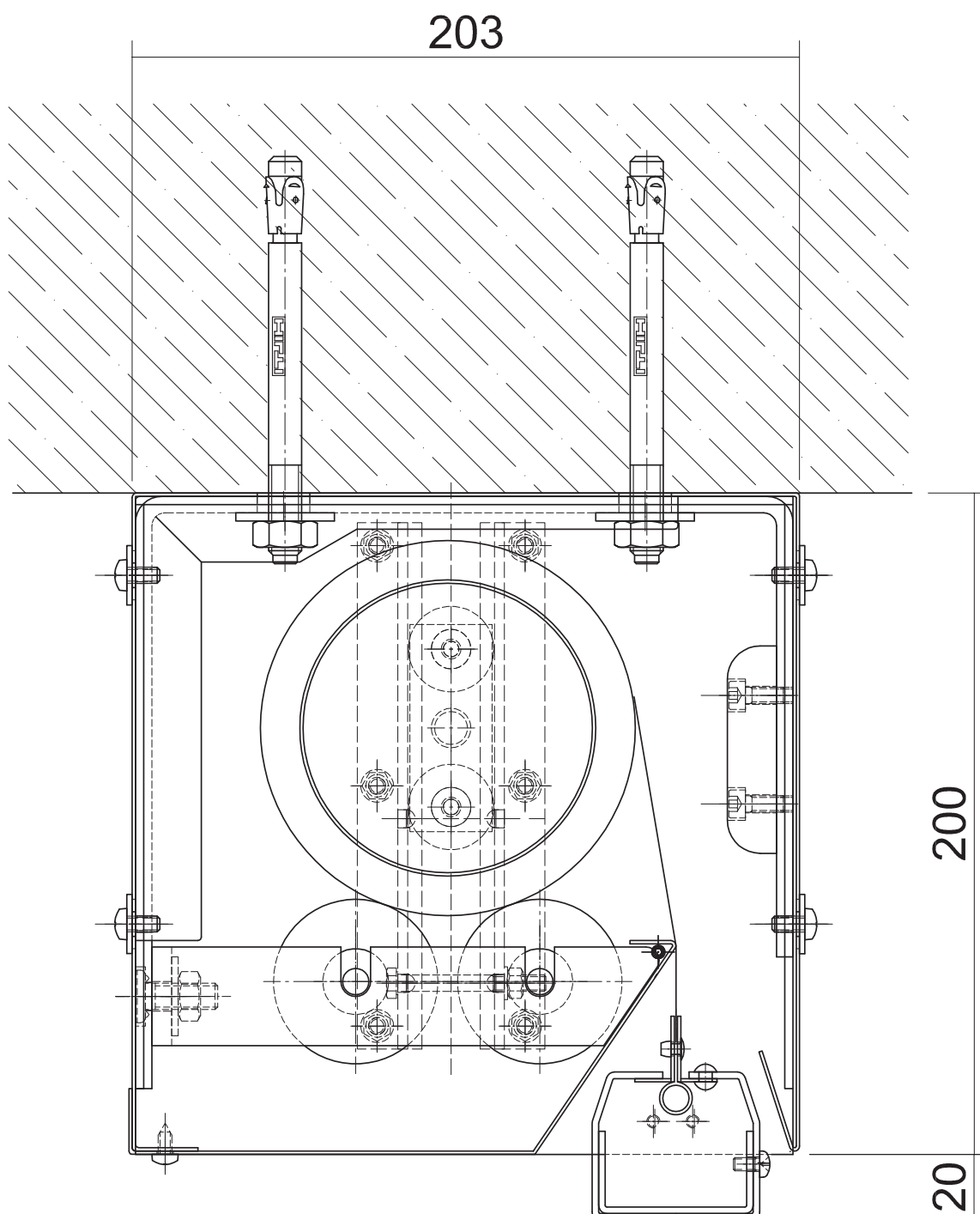
Housing for systems:

RSS 74 up to system height 3,6 m

RSR 75 / 75.1 up to system height 3,6 m

BSV E / EW up to system height 3,5 m

max. system size on request

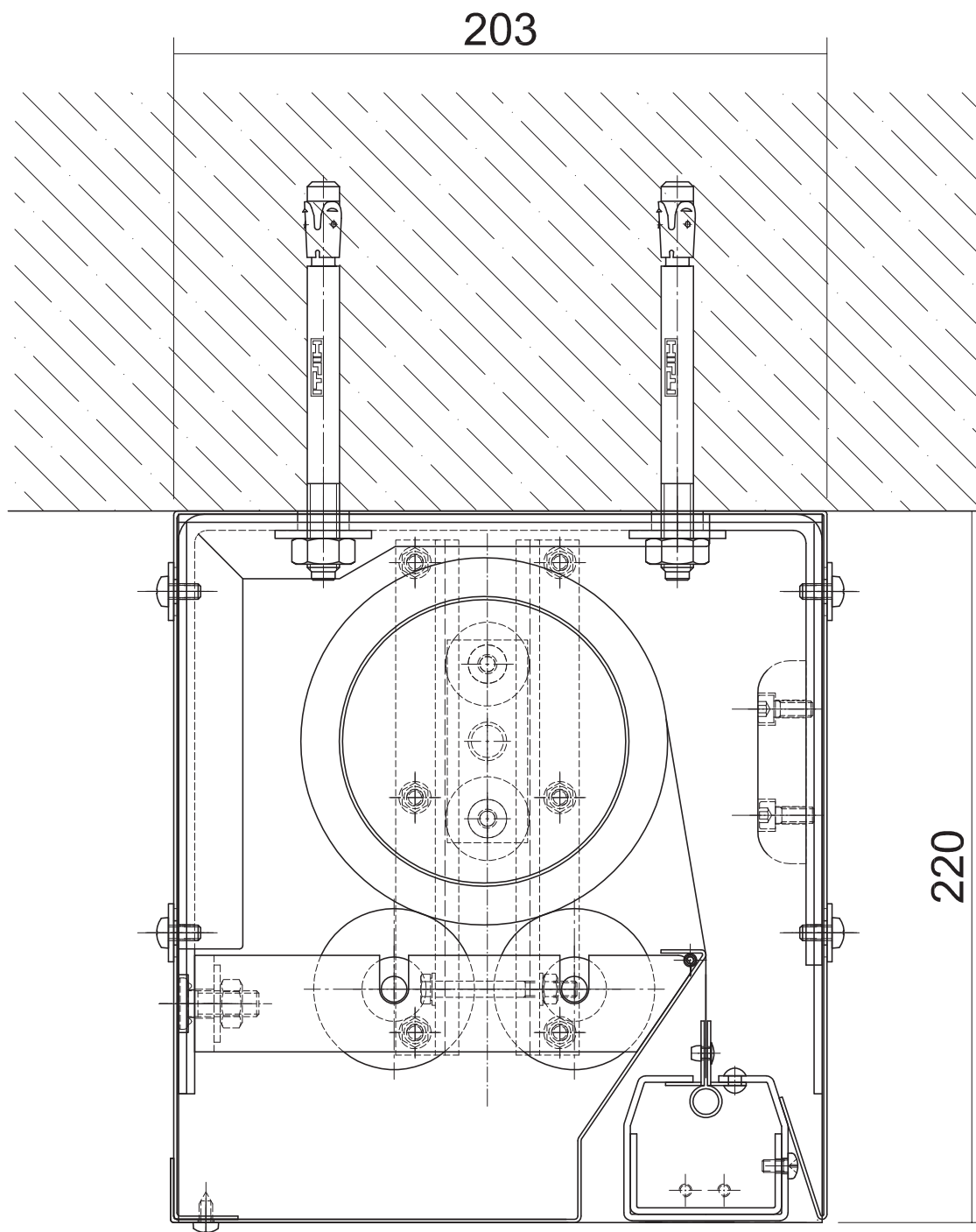


Standard housing 203 x 220

Housing for systems:

RSS 74 up to system height 3,6 m
RSR 75 / 75.1 up to system height 3,6 m
BSV E / EW up to system height 3,5 m

max. system size on request

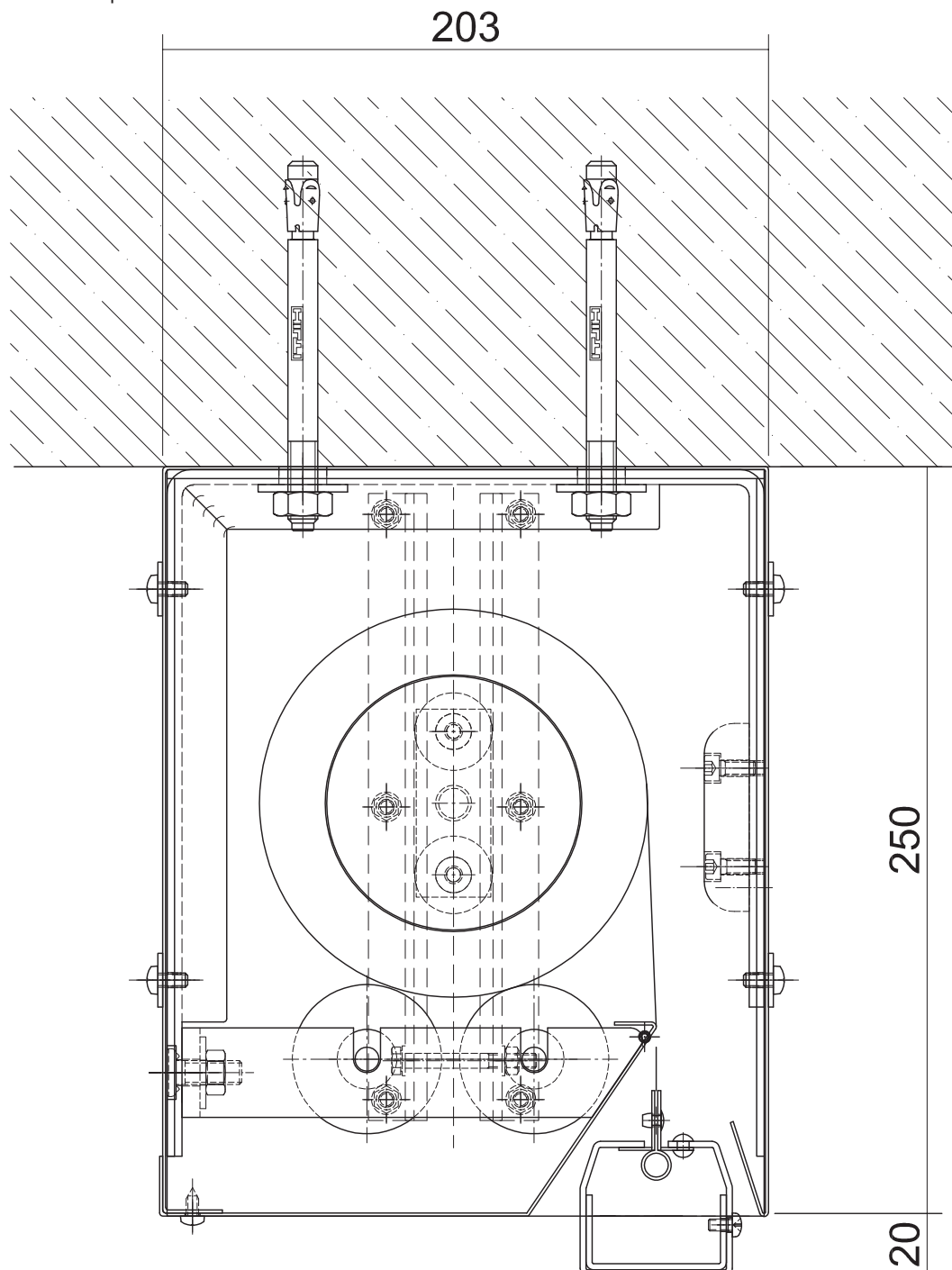


Standard housing 203 x 250

Housing for systems:

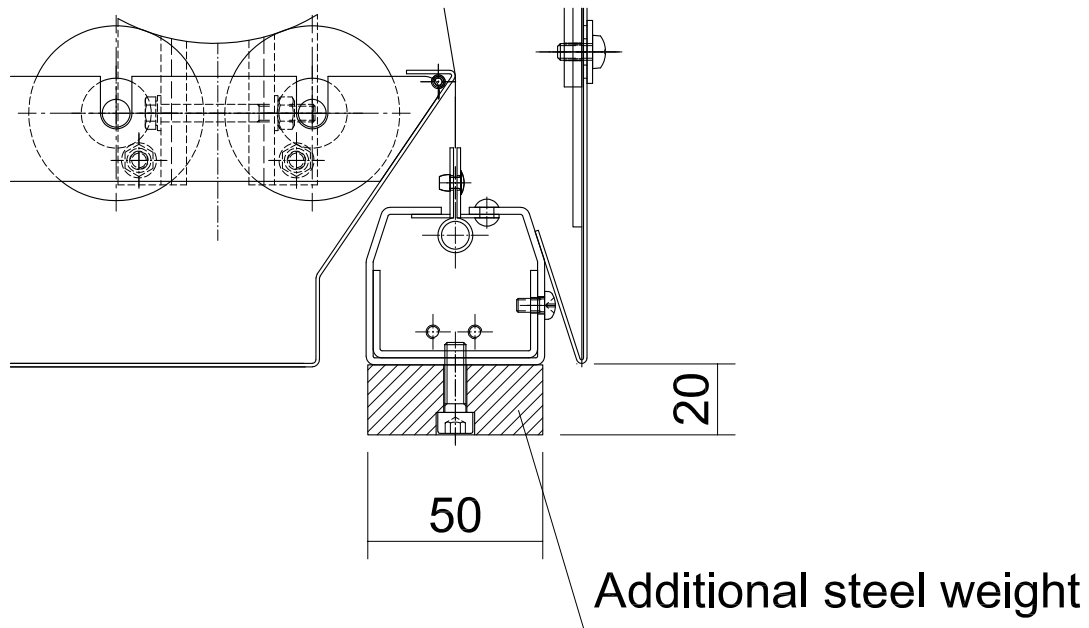
RSS 74	up to system height 6,0 m
RSR 75	up to system height 6,0 m
RSR 75.1	up to system height 5,0 m
BSV E / EW	up to system height 5,0 m

max. system size on request



Smoke- and Fireprotection

Drop-bar with additional weight
depending on the system and motor type, necessary for widths under 150 cm

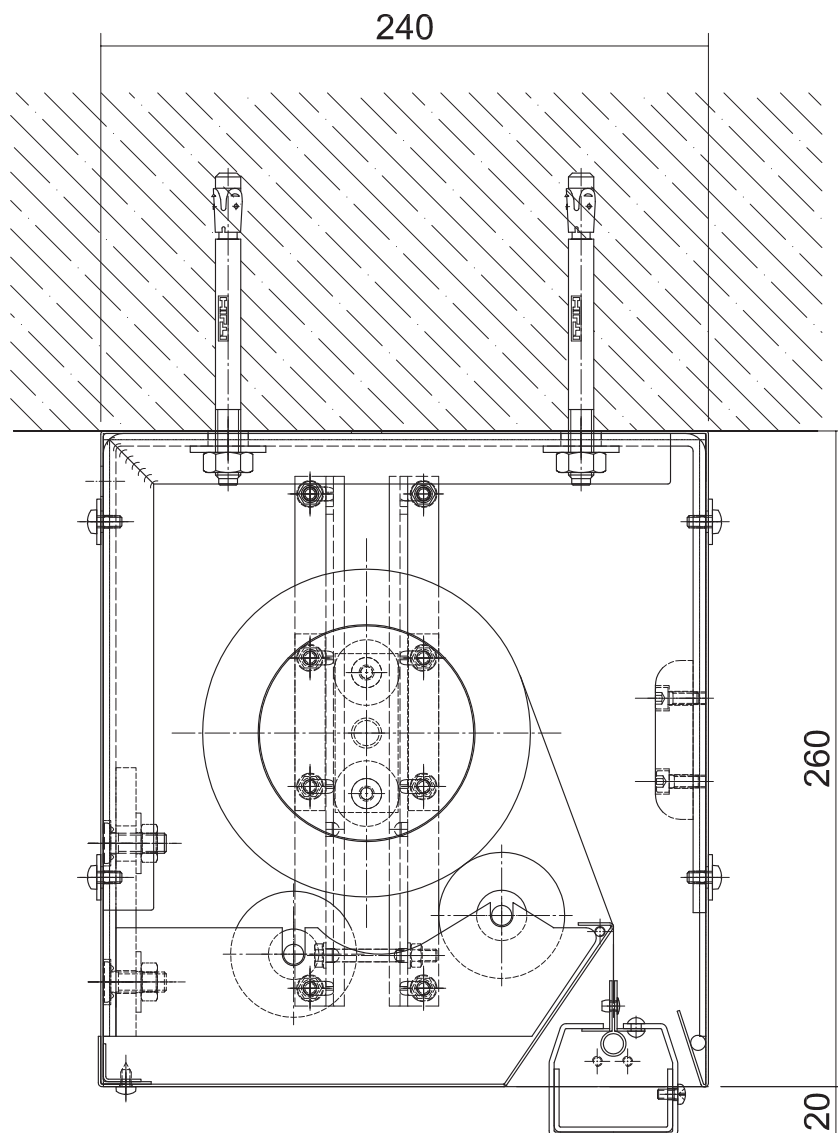


Standard housing in special dimensions (on request)

Housing for systems:

RSS 74 up to system height 9,5 m
RSR 75 / 75.1 up to system height 9,5 m
BSV E / EW up to system height 8,0 m

max. system size on request

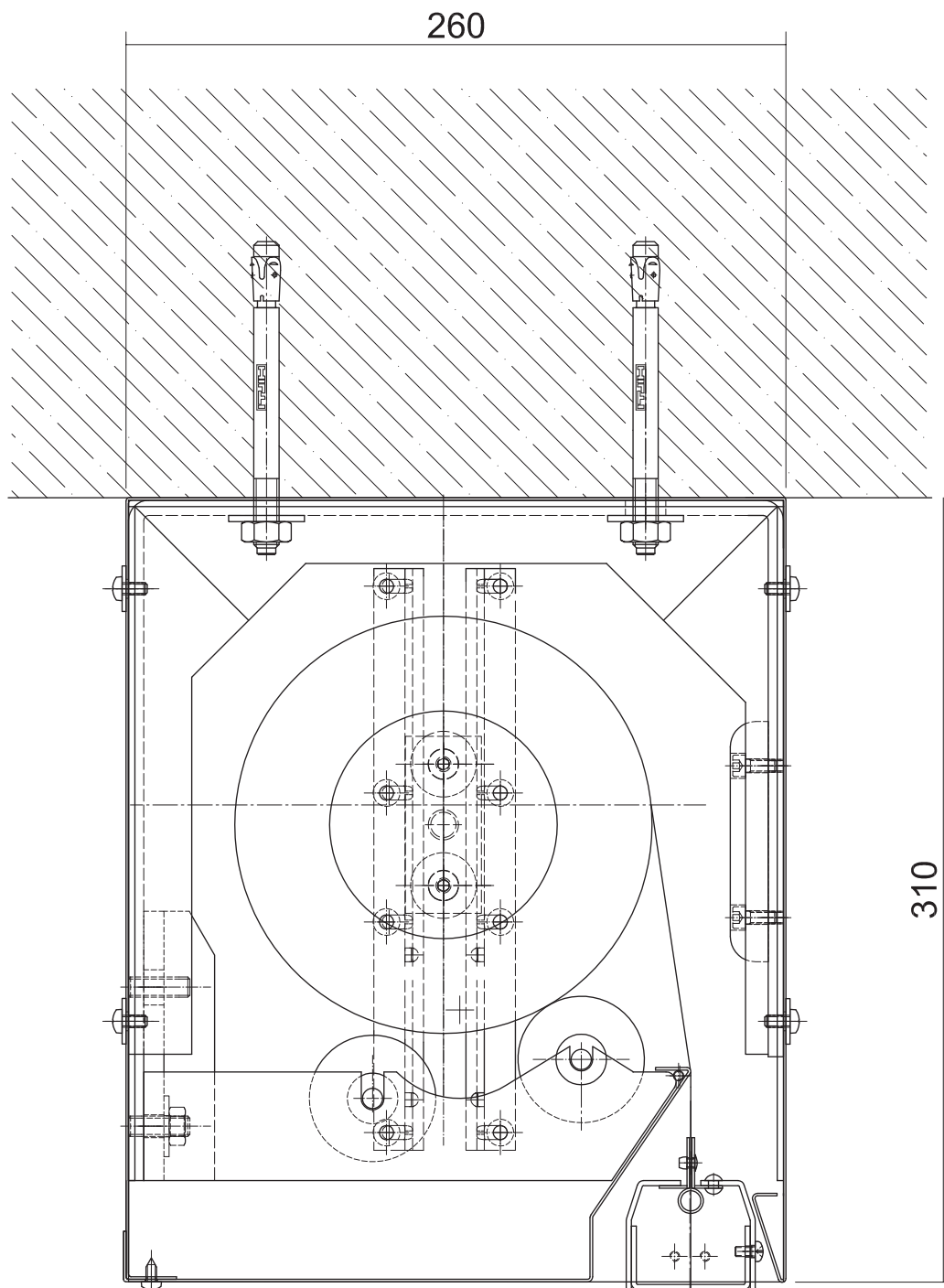


Standard housing in special dimensions (on request)

Housing for systems:

RSS 74 up to system height 14,0 m
RSR 75 / 75.1 up to system height 12,5 m
BSV E / EW up to system height 12,5 m

max. system size on request

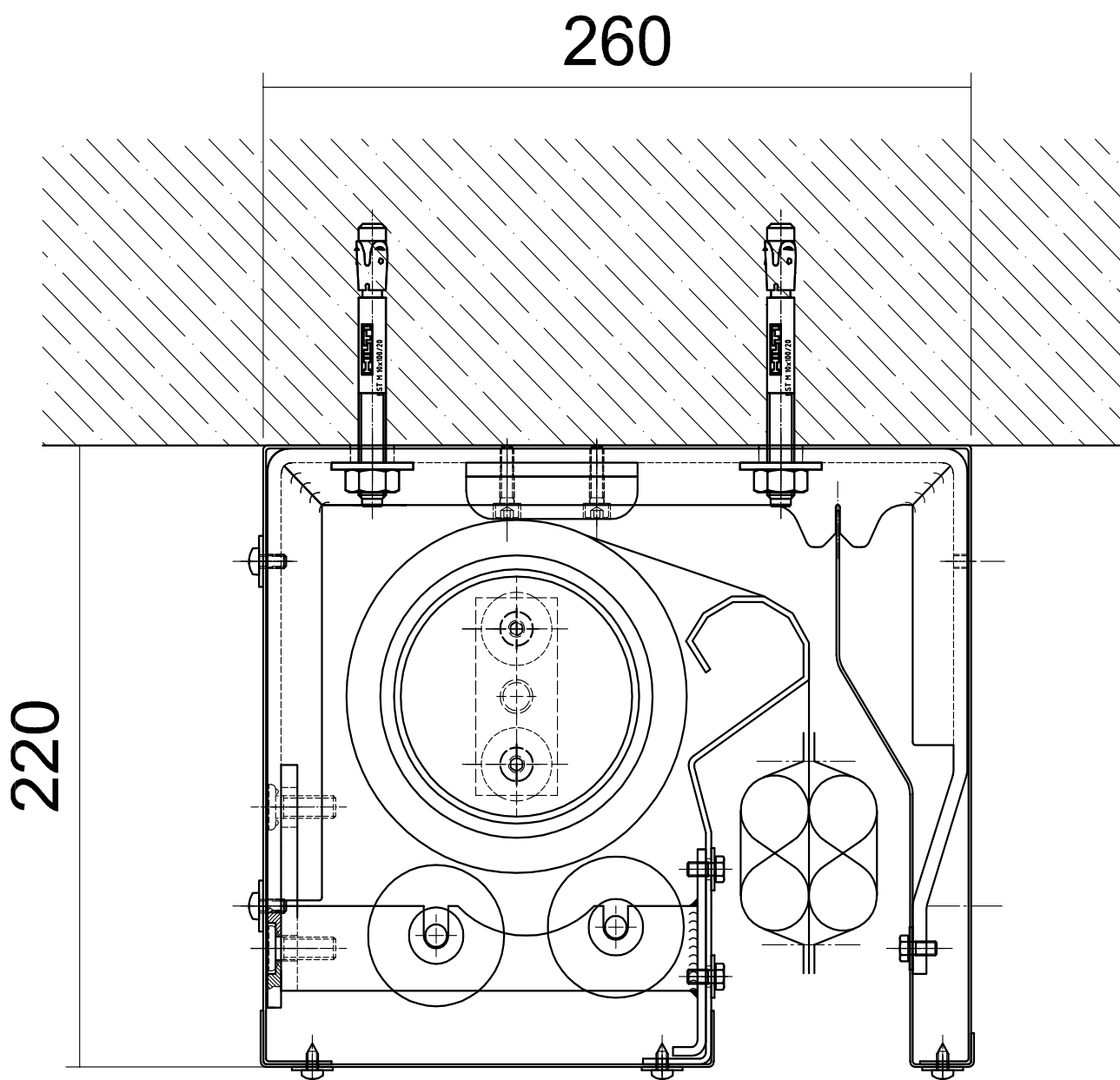


Standard housing 260 x 220

Housing for system:

RSS 74 stripe curtain up to system height 3,5 m

max. system size on request

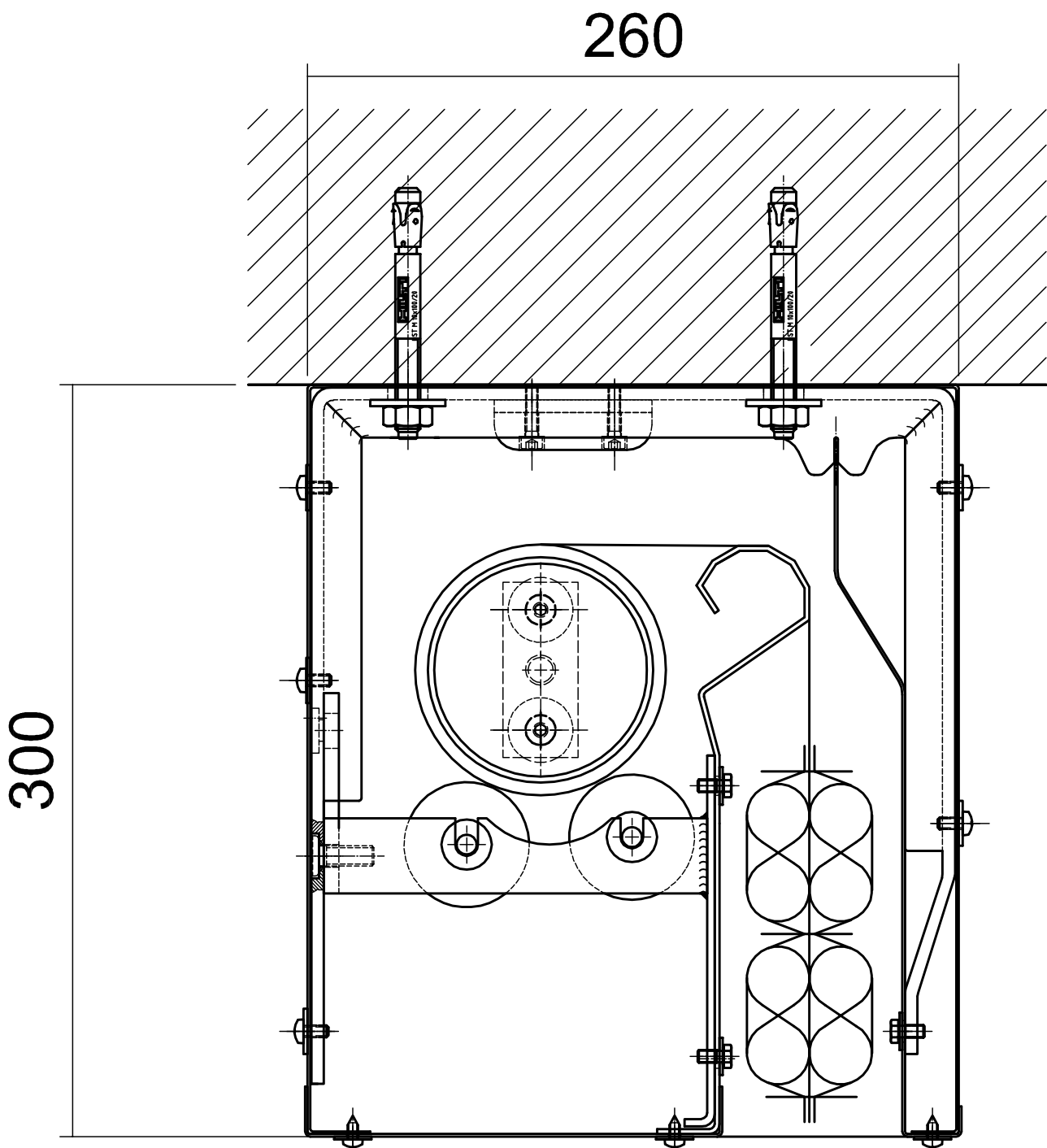


Standard housing 260 x 300

Housing for system:

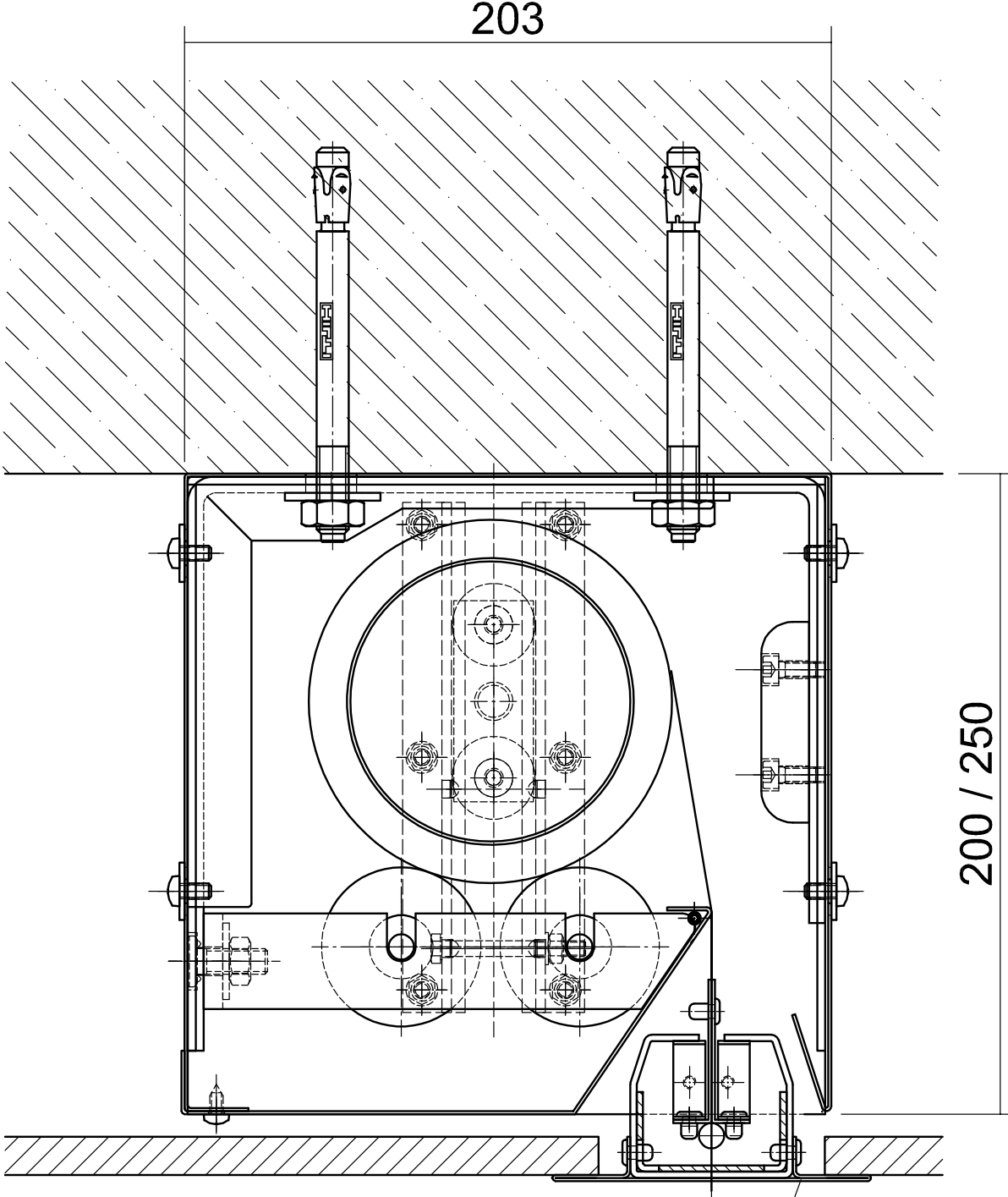
RSS 74 stripe curtain up to system height 5,0 m

max. system size on request



Additional housing equipment

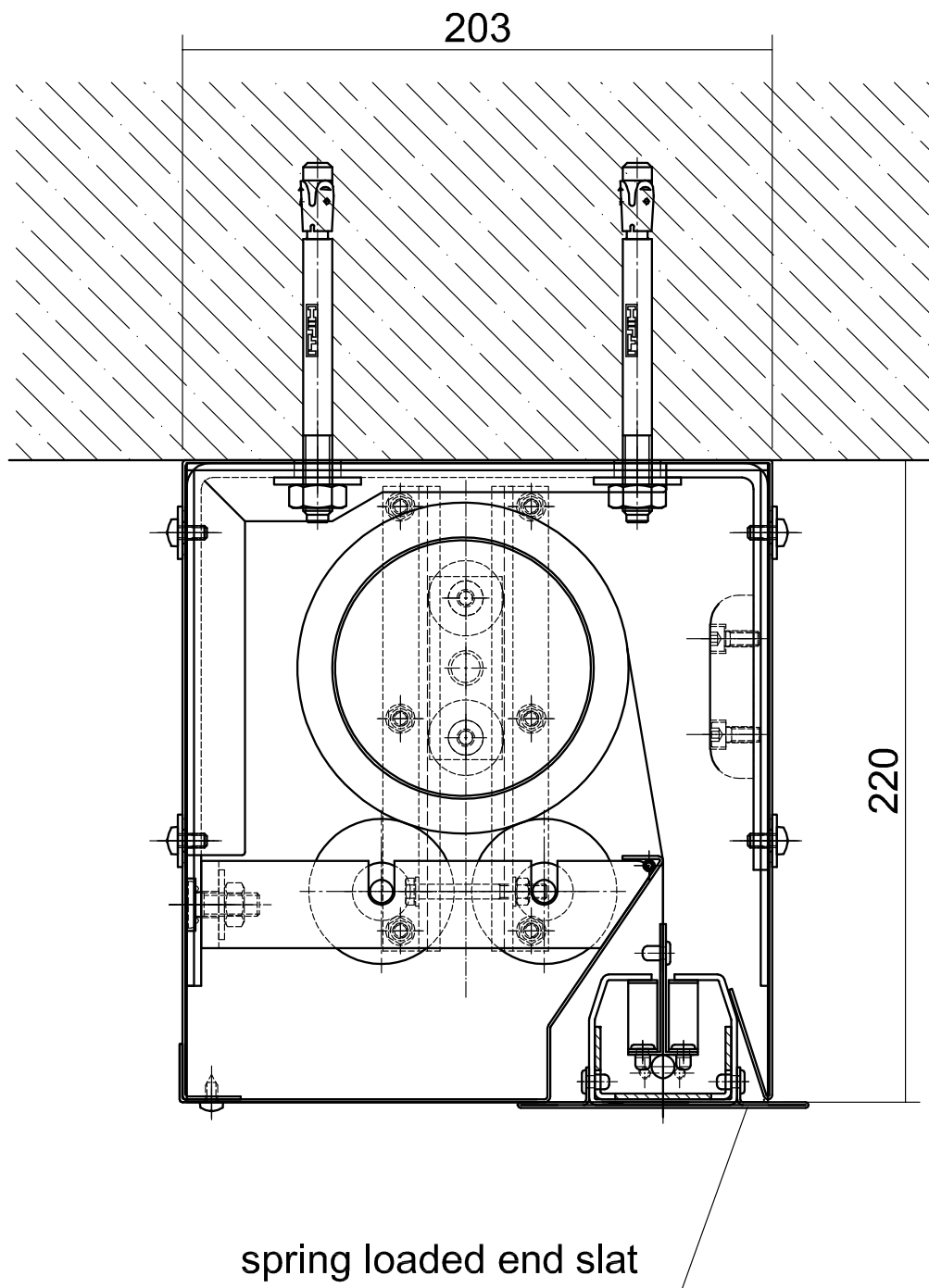
spring loaded end slat



spring loaded end slat, flush with ceiling

Additional housing equipment

spring loaded end slat

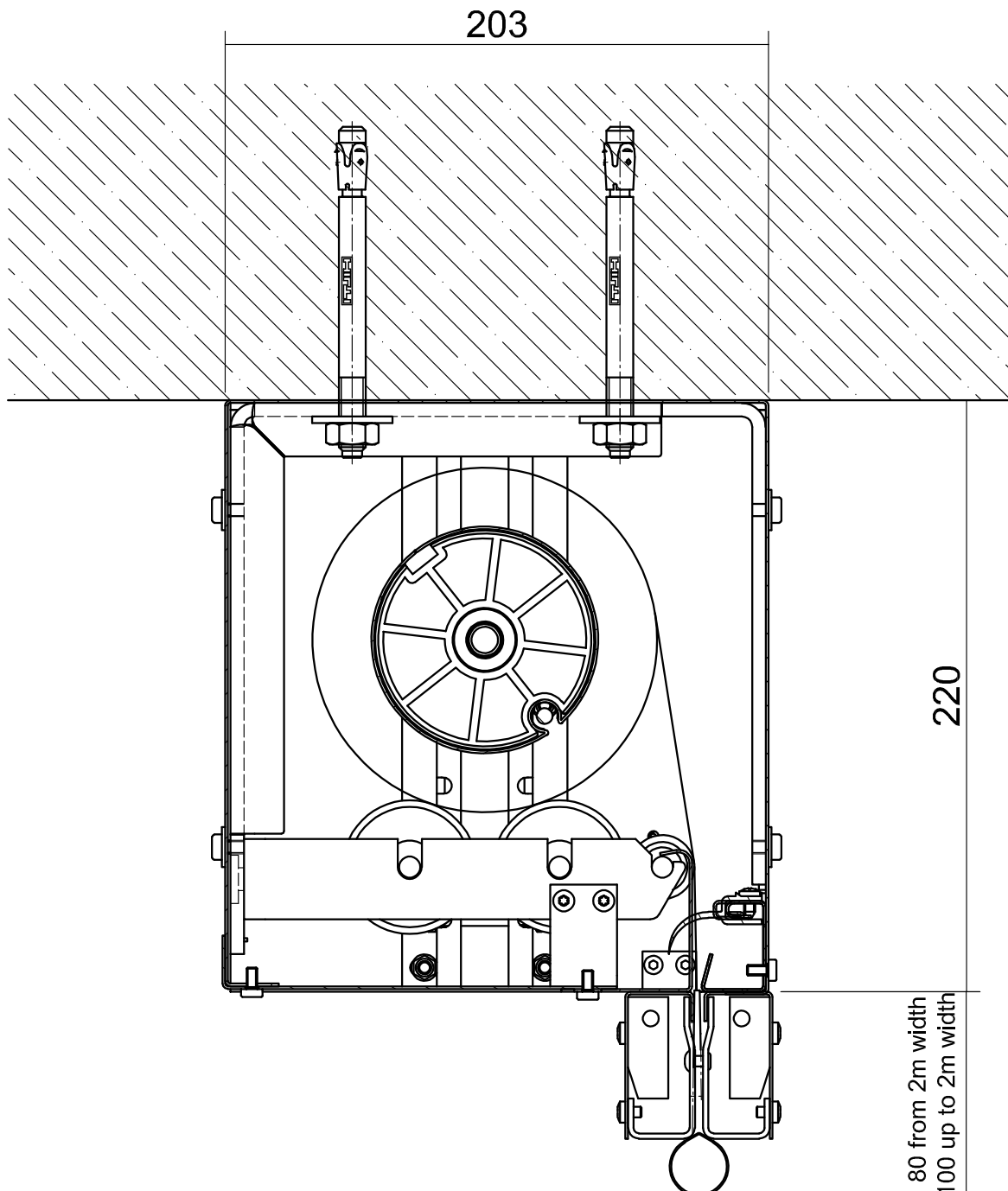


Standard housing 203 x 220

Housing for systems:

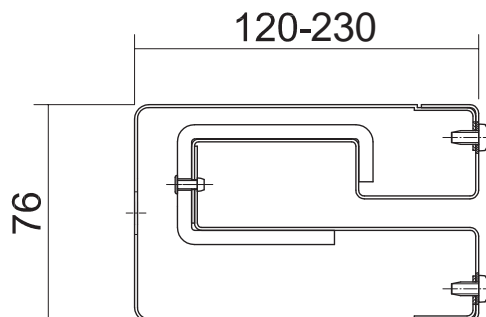
RSA up to system height 4,5 m
BSV RS up to system height 4,5 m

max. system size on request

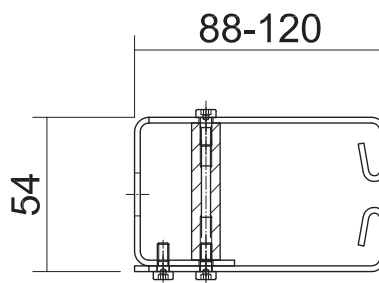


Guide rails

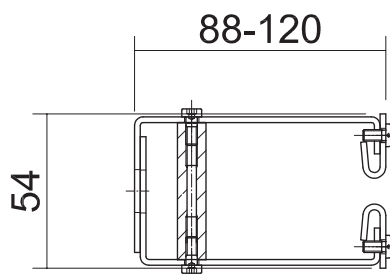
Type RSR 75 / BSV E / BSV EW
Guide rail with roller guidance
Standard 120 x 76 mm
2-piece, steel galvanised



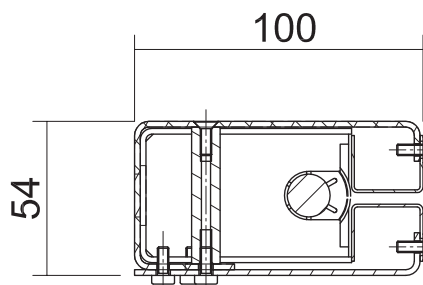
Type RSR 75.1 / BSV E / BSV EW
Guide rail with AISI 304 guiding rod \varnothing 15 mm
Standard 88 x 54 mm
2-piece, steel galvanised



Type RSR 75.1 / BSV E / BSV EW
Guide rail with AISI 304 guiding rod \varnothing 15 mm
Standard 88 x 54 mm
4-piece, steel galvanised

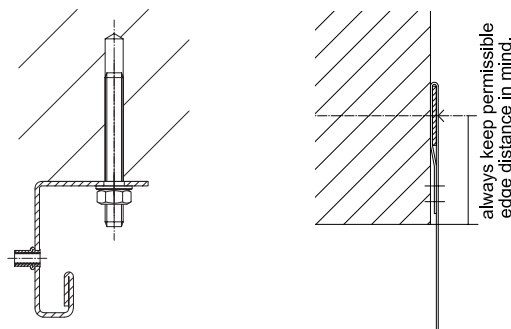


Type RSA / BSV RS
Guide rail with AISI 304 guiding rod \varnothing 15 mm
Standard 100 x 54 mm
4-piece, steel galvanised

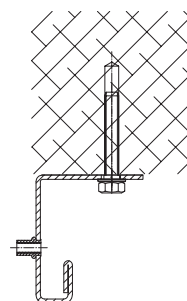


Mounting variants Type RST 73

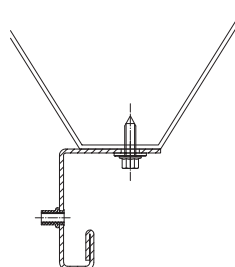
Concrete



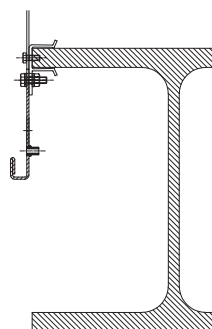
Wood



Trapezoidal sheet metal



Beam

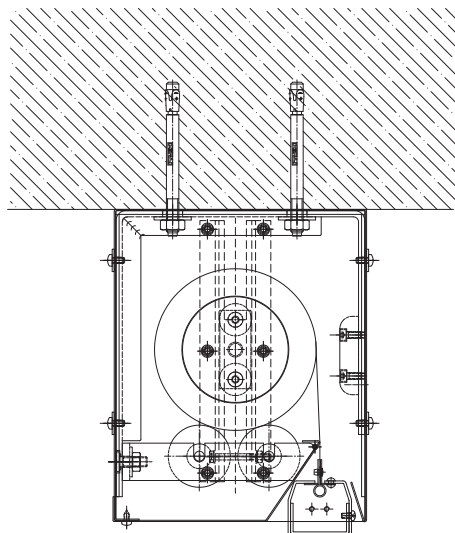


Mounting axles approx. every 500 mm

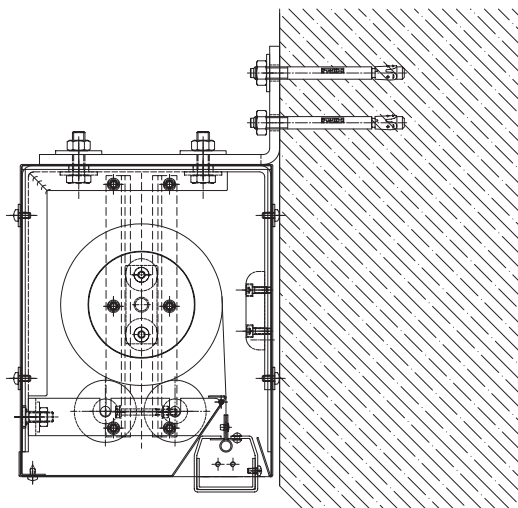
Attention: always check for the appropriate approval for each project

Housing mounting variants type RSS 74 / RSR 75 / RSR 75.1 / BSV E / BSV EW

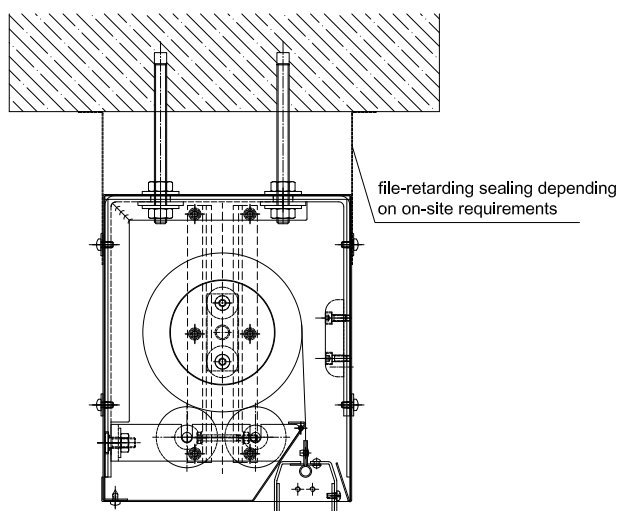
ceiling mounting



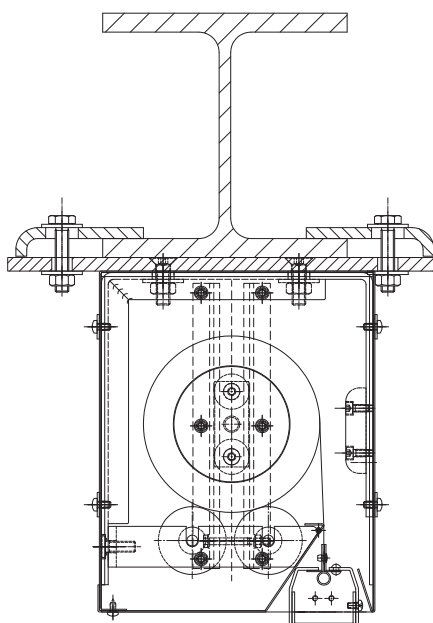
wall mounting with brackets



suspended ceiling mounting with threaded rods

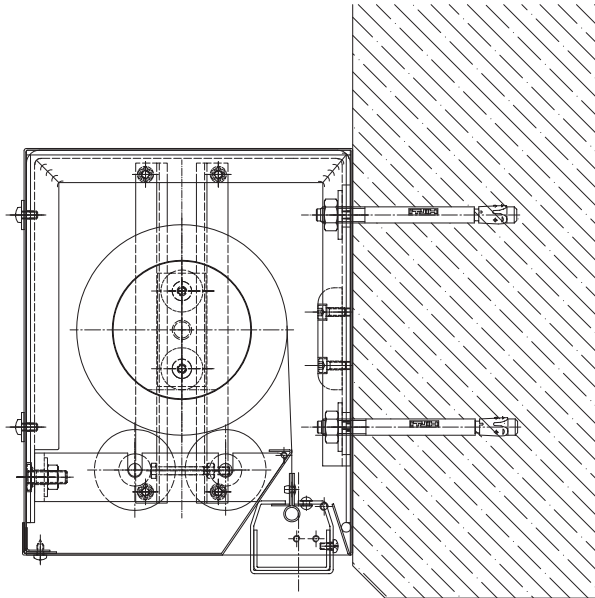


mounting onto steel beams with clamps
(only smoke protection systems)

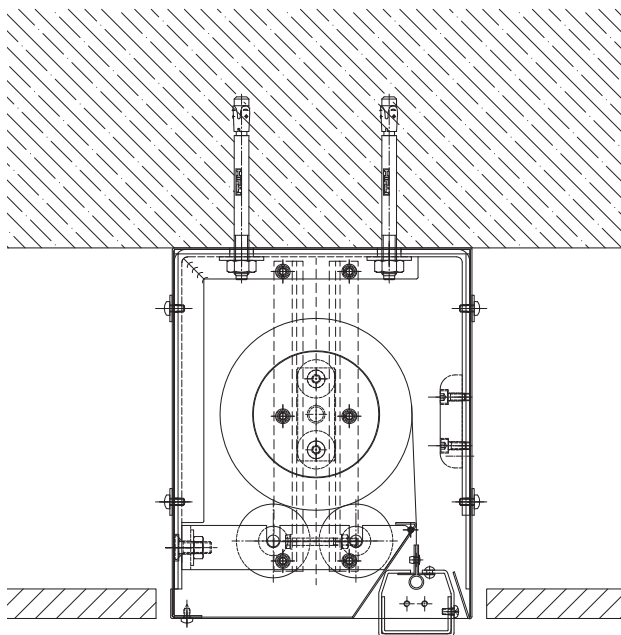


Housing mounting variants type RSS 74 / RSR 75 / RSR 75.1 / BSV E / BSV EW

wall mounting

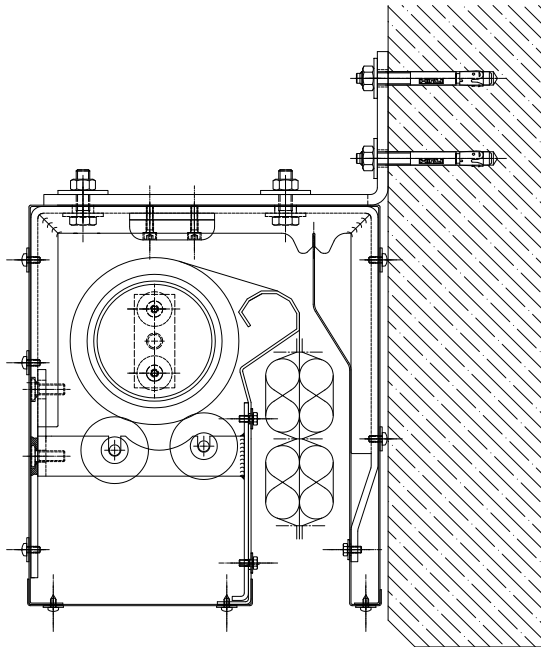


suspended ceiling mounting

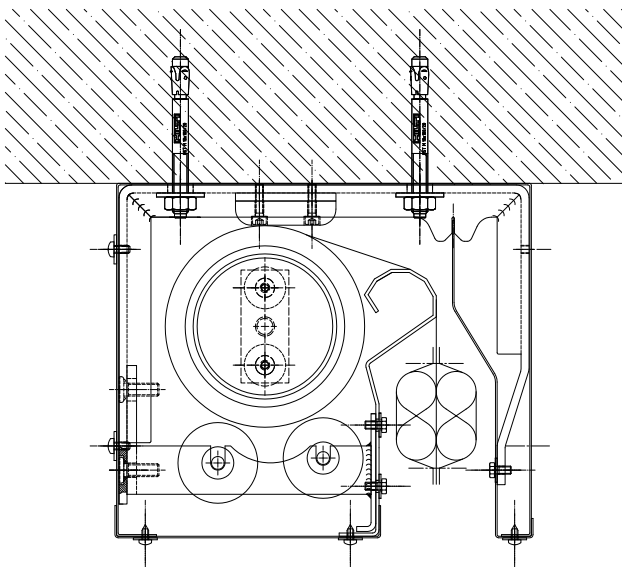


Housing mounting variants RSS 74 stripe curtain

wall mounting with brackets

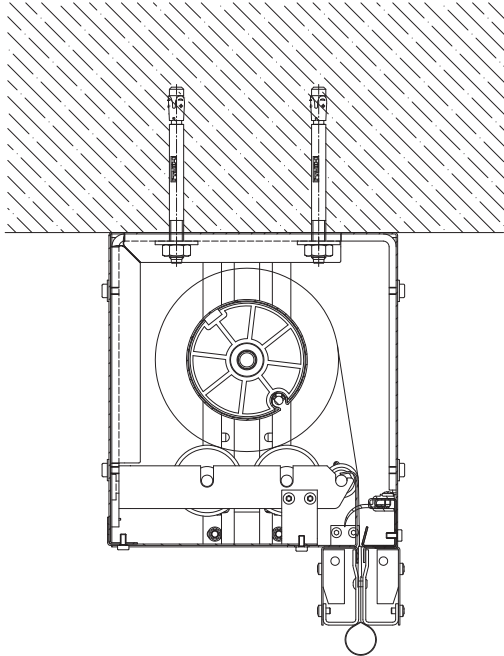


ceiling mounting

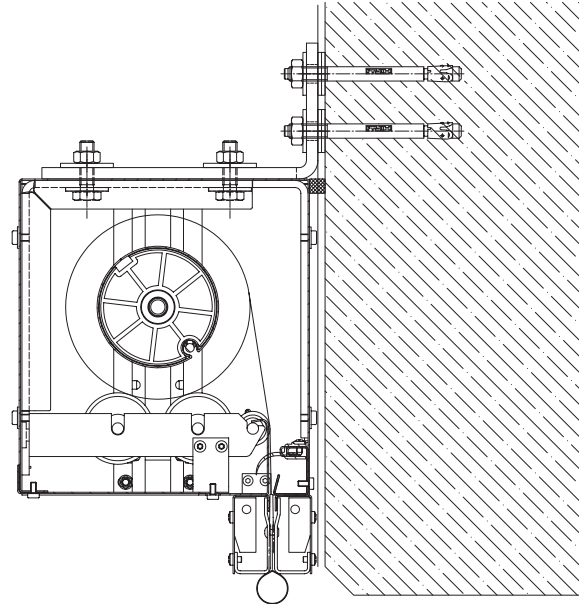


Housing mounting variants RSA / BSV RS

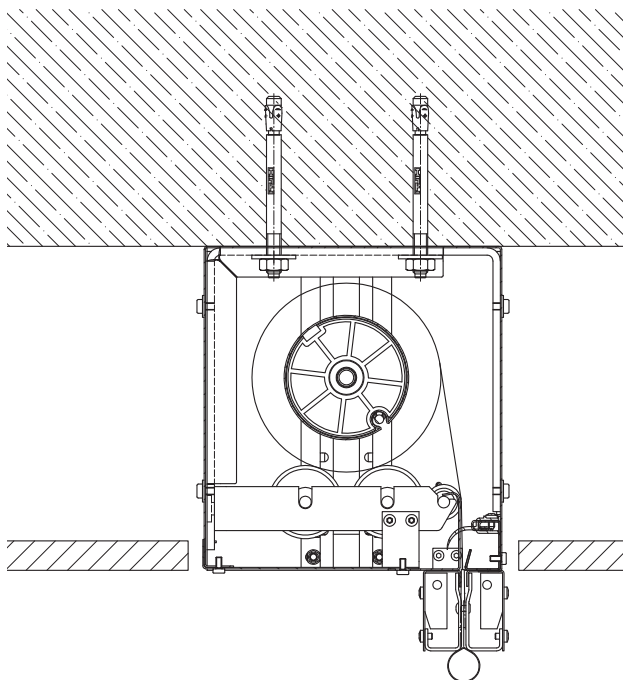
ceiling mounting



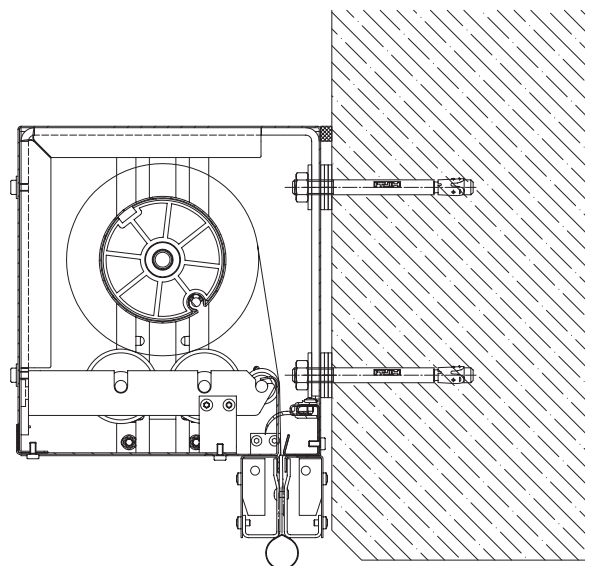
wall mounting with brackets



suspended ceiling mounting



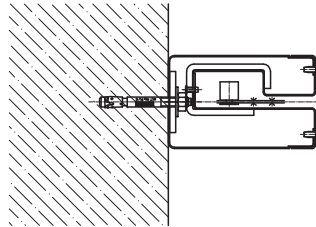
wall mounting



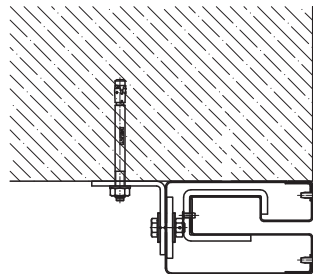
Guide rail mounting variants type RSR 75 / BSV E / BSV EW

roller guidance

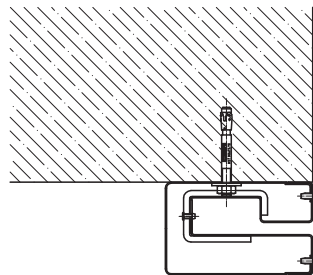
reveal mounting



wall mounting



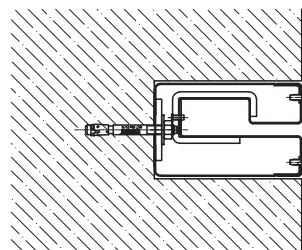
wall mounting



always keep permissible
edge distances of the an-
chors in mind

niche mounting

A corresponding recess must be taken into account for mounting the housing and the fabric tube.
See page 38.



Smoke- and Fireprotection

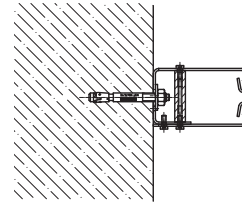


brandschutz. perfekt. anders.

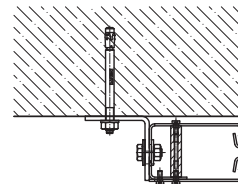
Guide rail mounting variants type RSR 75.1 / BSV E / BSV EW

rod guidance

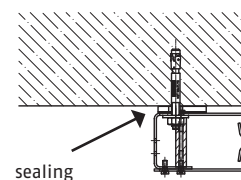
reveral mounting



wall mounting



wall mounting

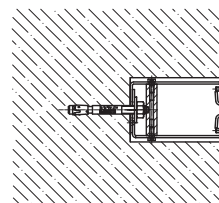


always keep permissible edge distances of the anchors in mind

spacer / underlay
i.g. item no:
1043 26 422

niche mounting

A corresponding recess must be taken into account for mounting the housing and the fabric tube.
See page 38.

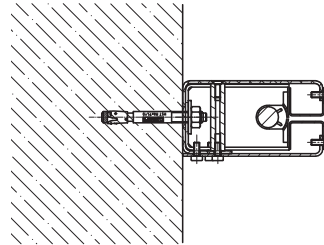


Smoke- and Fireprotection

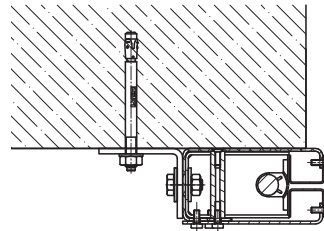
Guide rail mounting variants type RSA / BSV RS

rod guidance

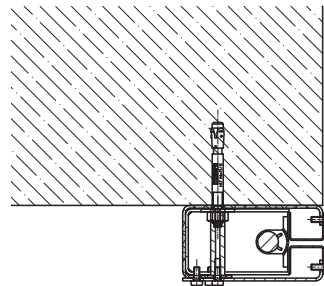
reveal mounting



wall mounting



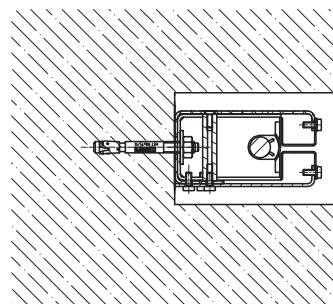
wall mounting



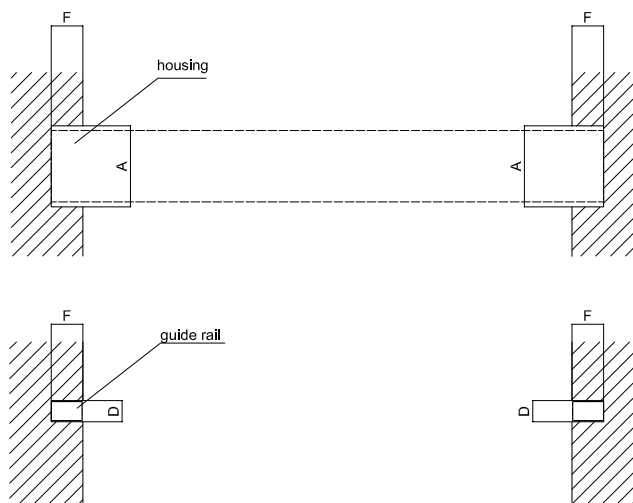
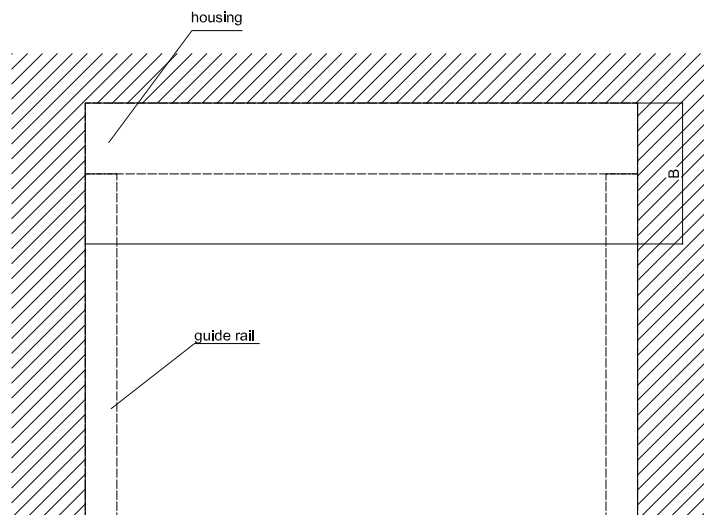
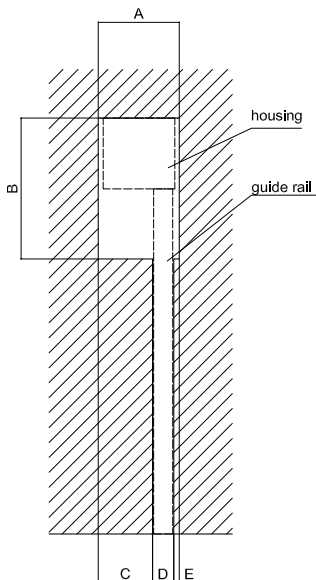
always keep permissible
edge distances of the
anchors in mind

niche mounting

A corresponding recess must be taken into account for mounting the housing and the fabric tube.
See page 38.



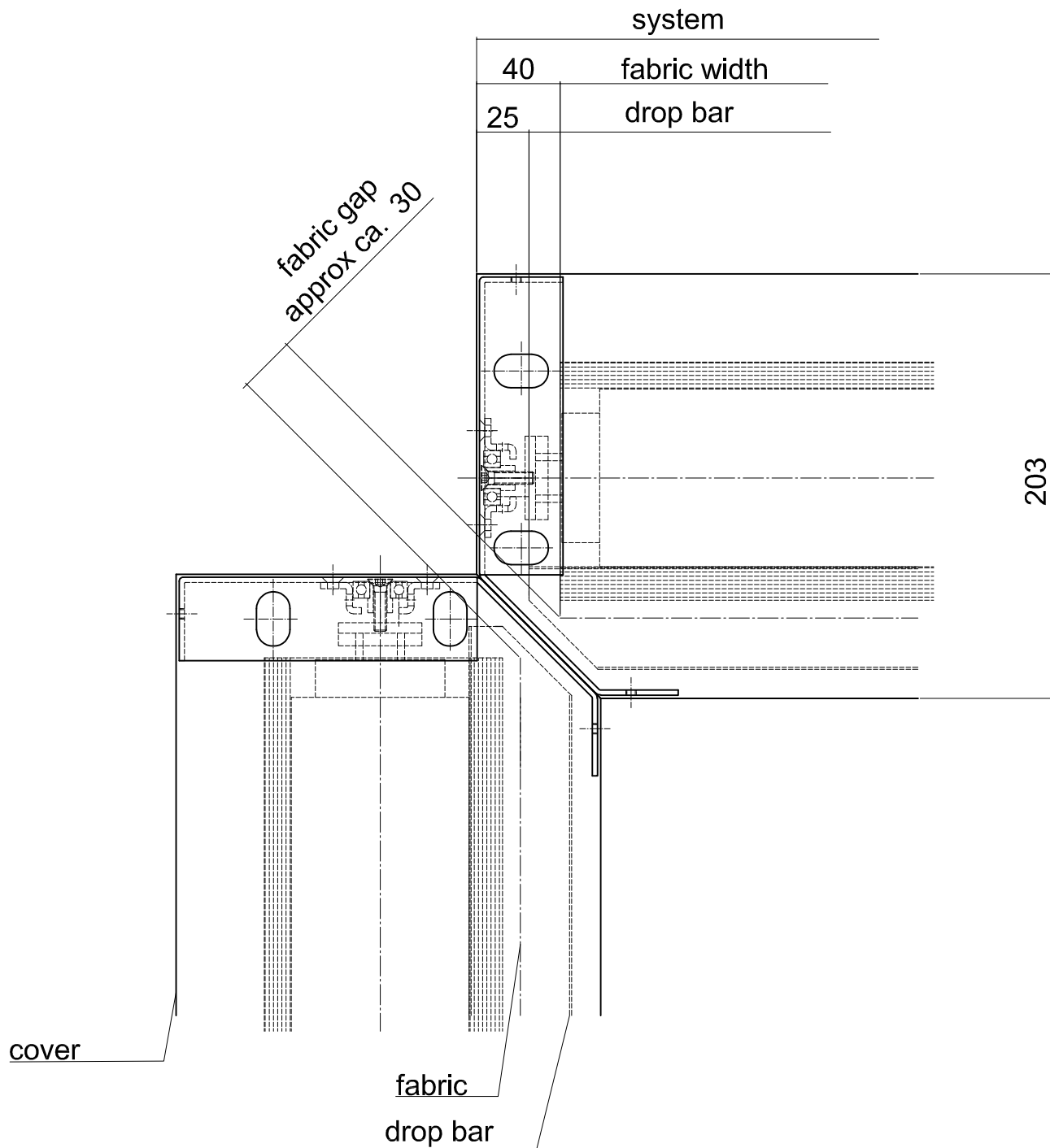
Niche mounting preparation



housing sizes	rod guidance	roller guidance	niche dimensions					
			A	B	C	D	E	F
150x150	X		180	310	106	60	14	90
203x200	X		230	410	154	60	16	90
203x200		X	230	410	138	80	12	121
203x220	X		230	450	154	60	16	90
203x220		X	230	450	138	80	12	121
RSA 203x220	X		230	450	150	80	0	103
203x250	X		230	510	154	60	16	90
203x250		X	230	510	138	80	12	121

Smoke- and Fireprotection

Smoke barrier RSS 74 mitre solution 90° corner
housing sizes 203 x 200, 203 x 220, 203 x 250



Smoke- and Fireprotection



brandschutz. perfekt. anders.

electrically operated heat- or welding protection curtain
to separate work areas in industry or trade

