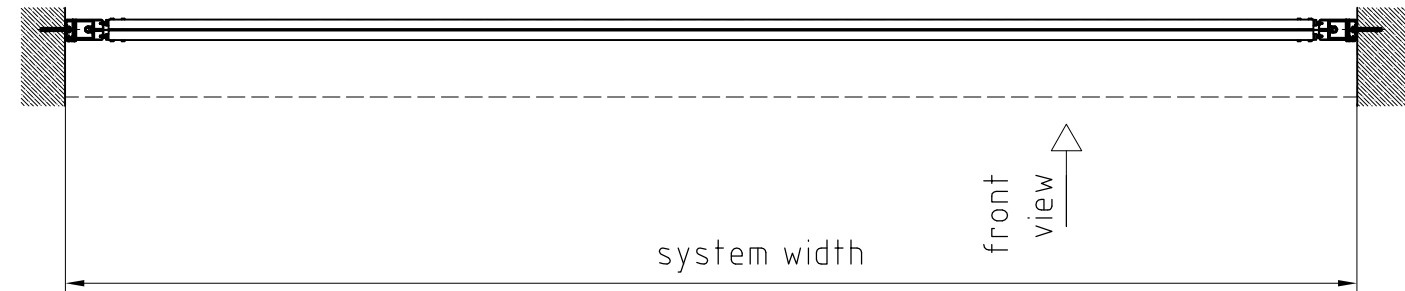
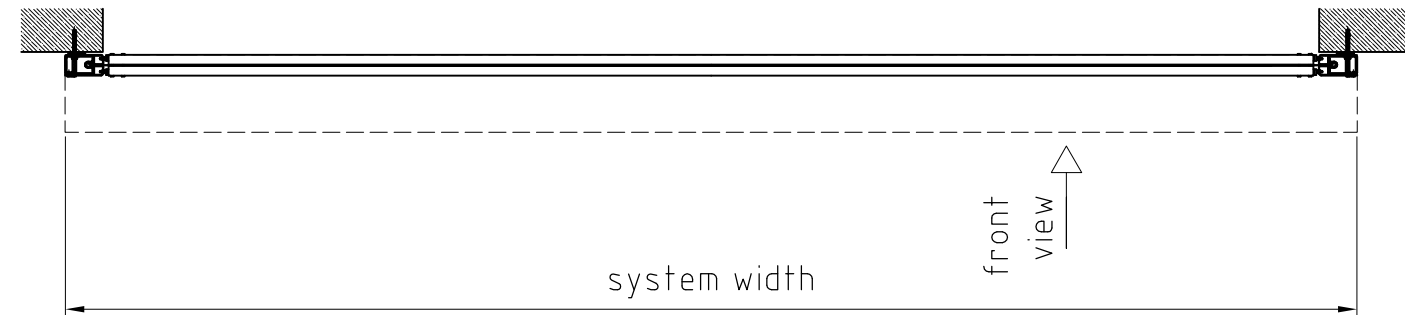


drop rail  
withdrawn position

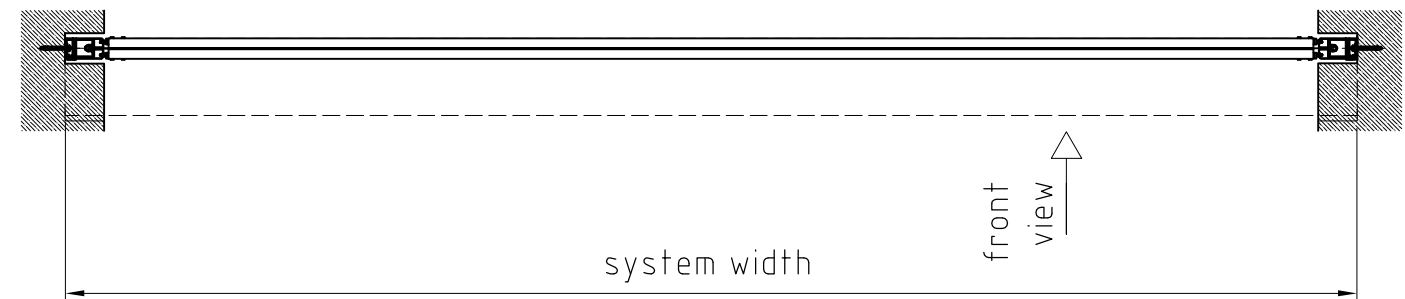
mounting in soffit:



mounting in front:



mounting in niche:



**brandschutz. perfekt. anders.**

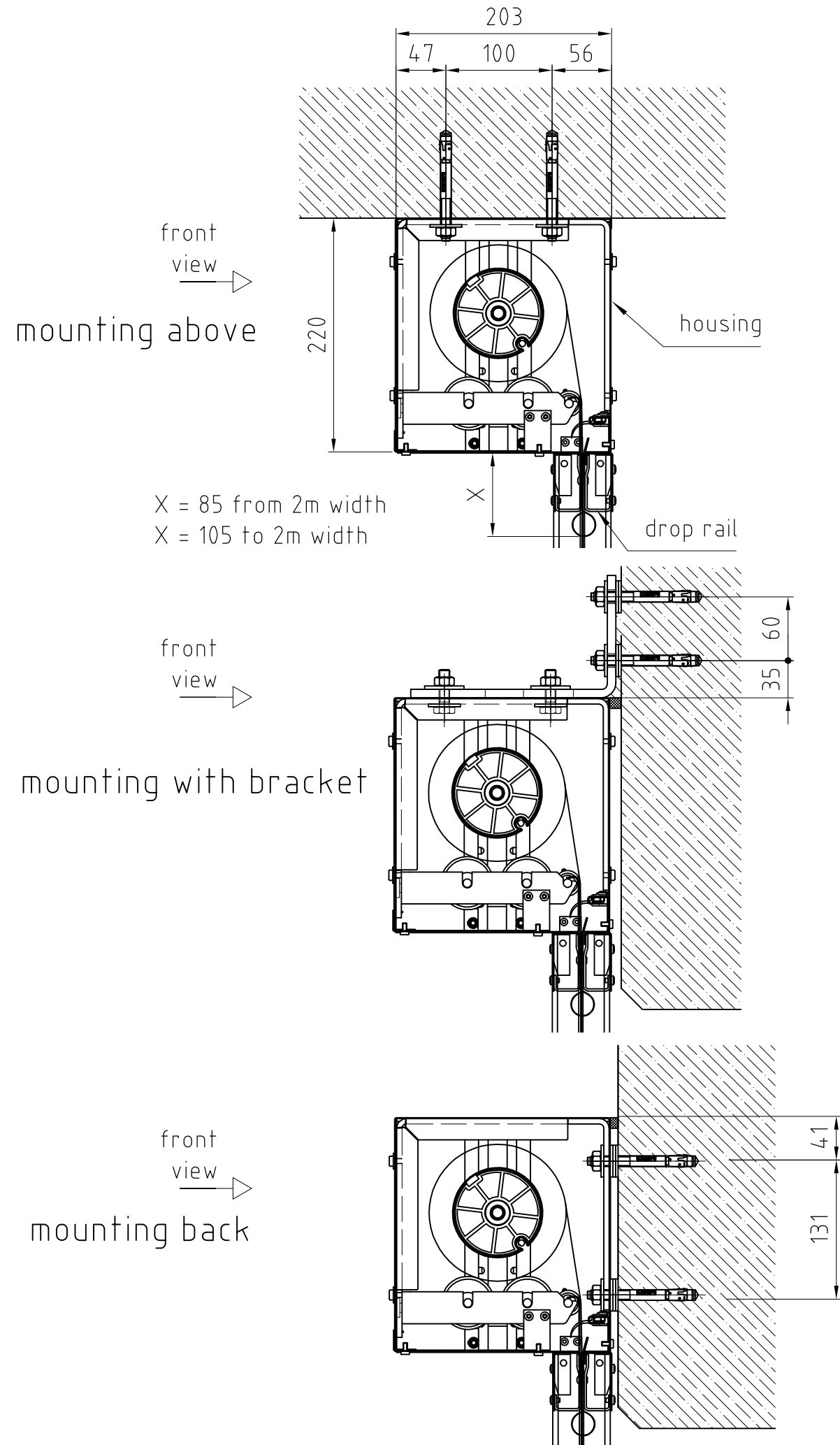
claus markisen Projekt GmbH  
office Karlsruhe  
Reitteilstraße 2  
76297 Stufensee  
Germany  
telephone number: +49 7249 9456-0  
mail: info@cm-brandschutz.de  
http: www.cm-brandschutz.de

<b>Typ RSA 77.1 - 220 und BSV-RS - 220</b>			
System width: <b>max. 7000</b>		System height: <b>max. 4500</b>	
scale: 1:20	format: A3	drawing number: 074.10714.1	layout: 1
version:	date: <b>05.08.2015</b>		name: <b>AMartin</b>

technical change reserved

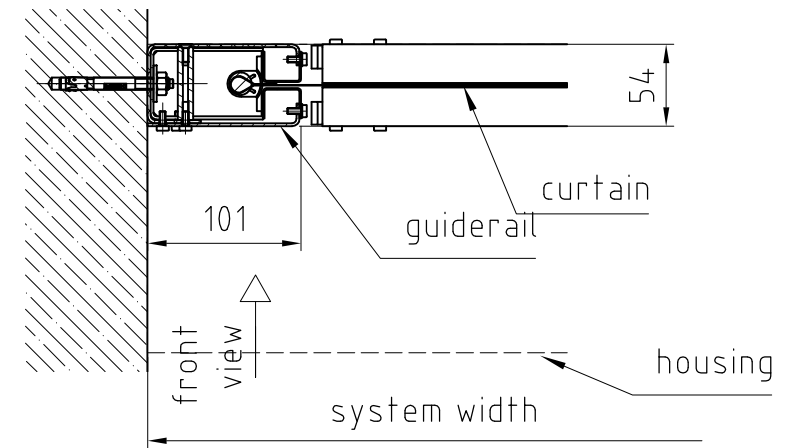
all dimensions in mm

### Mounting housing

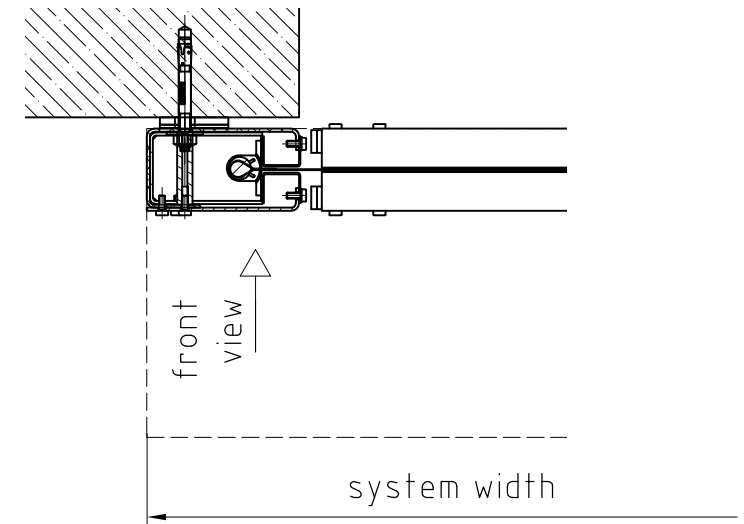


### mounting guiderail

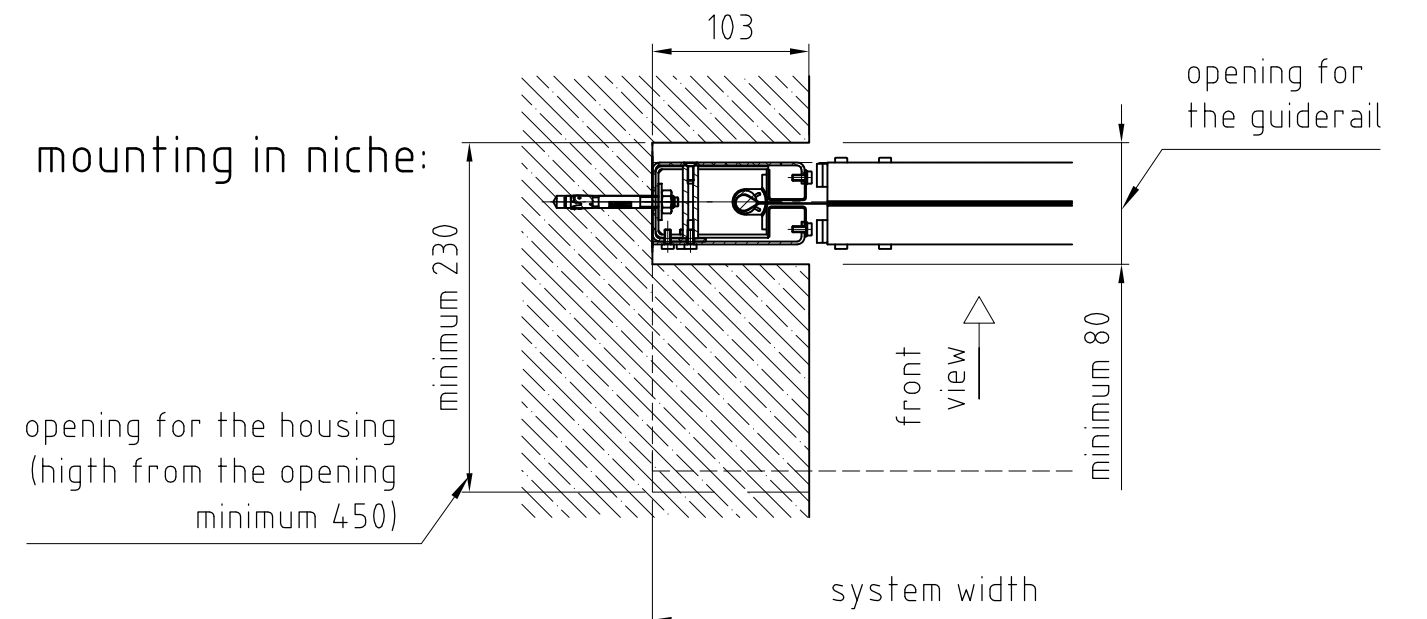
mounting in soffit:



mounting in front:



mounting in niche:



claus markisen Projekt GmbH  
office Karlsruhe  
Reitteilstraße 2  
76297 Stufensee  
Germany  
telephone number: +49 7249 9456-0  
mail: info@cm-brandschutz.de  
http: www.cm-brandschutz.de

<b>Typ RSA 77.1 - 220 und BSV-RS - 220</b>			
System width: <b>max. 7000</b>		System height: <b>max. 4500</b>	
scale: 1:20	format: A3	drawing number: 074.10714.2	layout: 2
version:	date: 05.08.2015	name: <b>AMartin</b>	

technical change reserved

all dimensions in mm