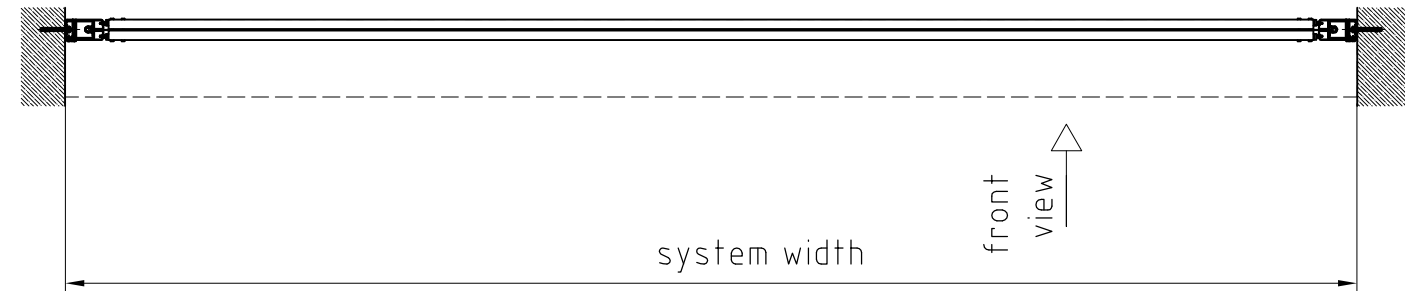
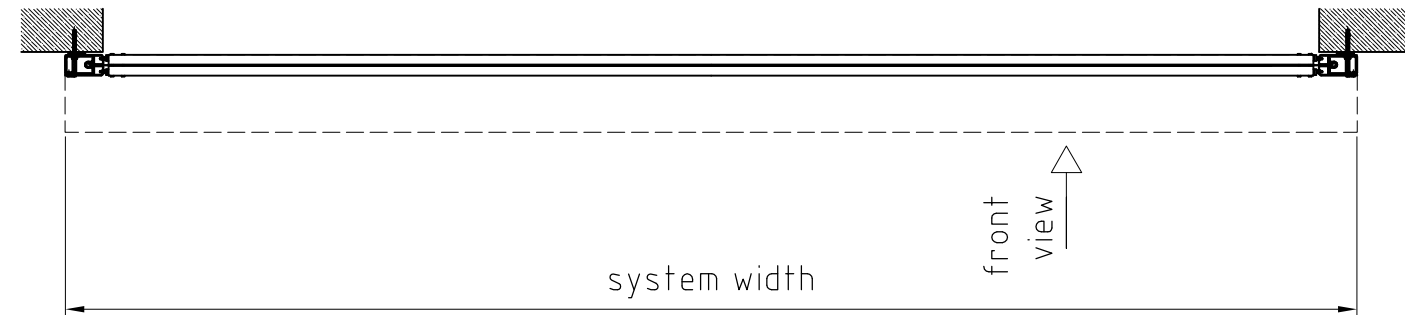


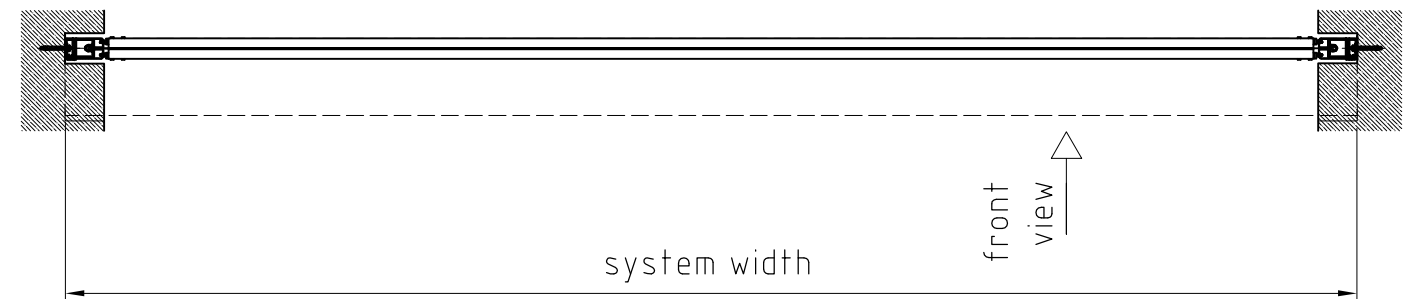
mounting in soffit:




mounting in front:

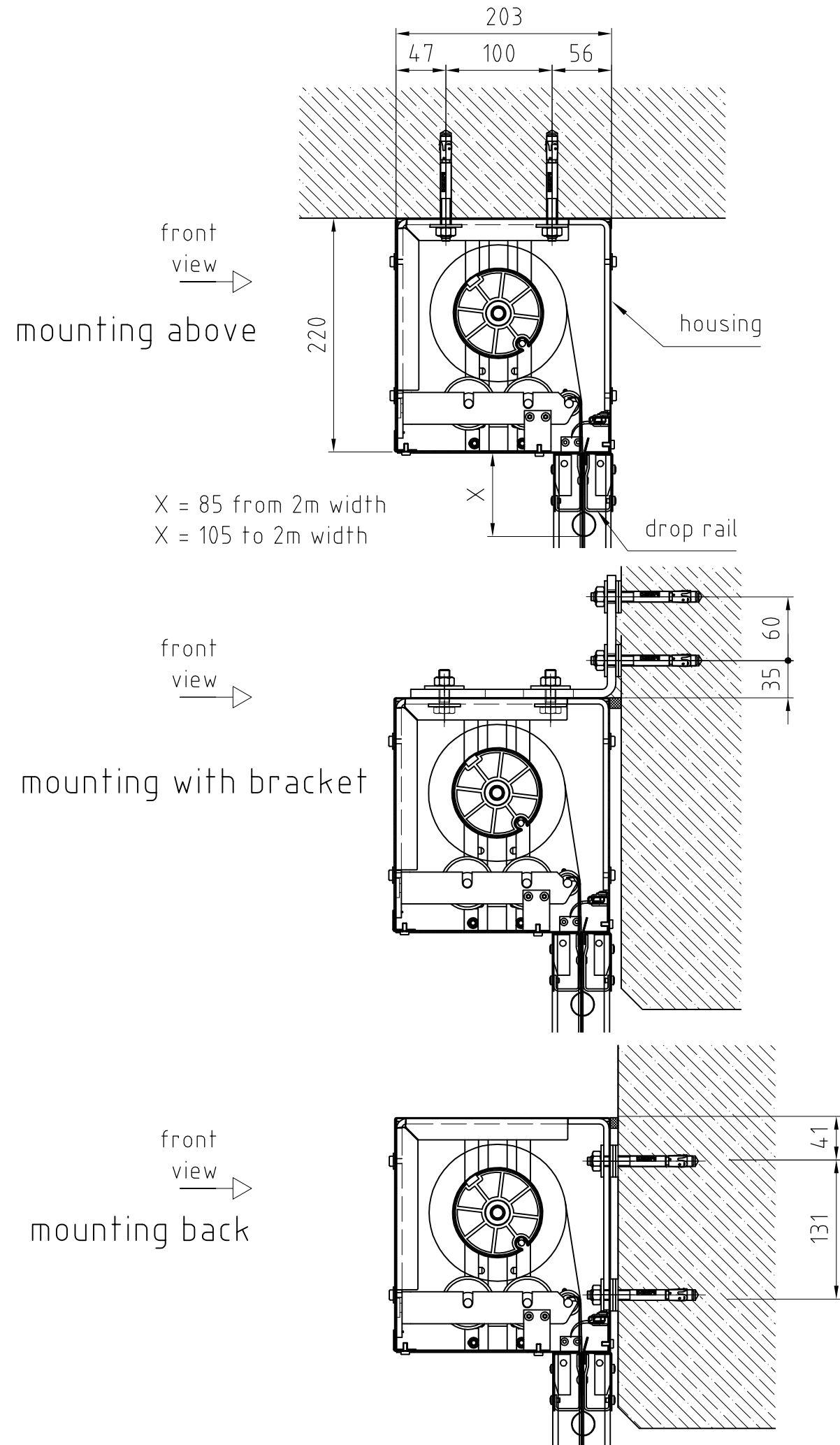


mounting in niche:



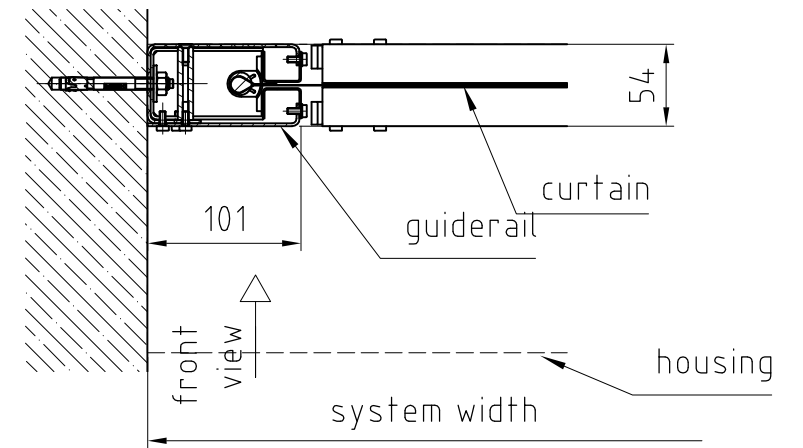
 brandschutz. perfekt. anders.	claus markisen Projekt GmbH office Karlsruhe Reitteilstraße 2 76297 Stufensee Germany telephone number: +49 7249 9456-0 mail: info@cm-brandschutz.de http: www.cm-brandschutz.de		Typ RSA 77.1 - 220 und BSV-RS - 220	
	System width: max. 7000		System height: max. 4500	
technical change reserved	all dimensions in mm	scale: 1:20	format: A3	drawing number: 074.10714.1
		version:	date: 05.08.2015	layout: 1
			name: AMartin	

Mounting housing

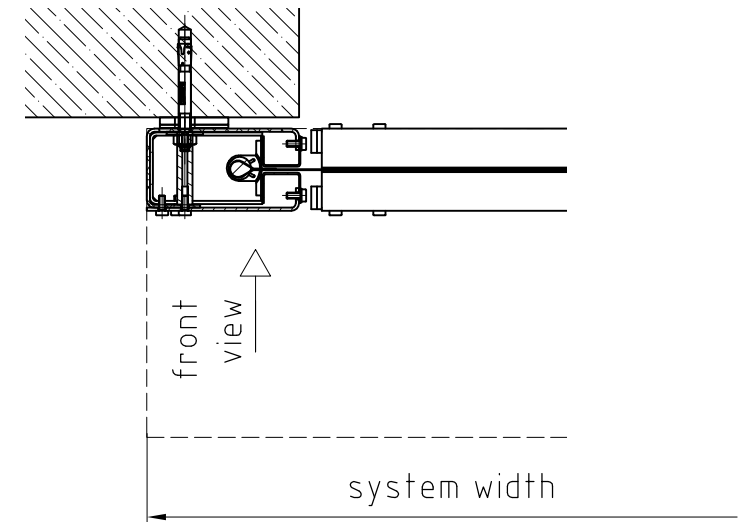


mounting guiderail

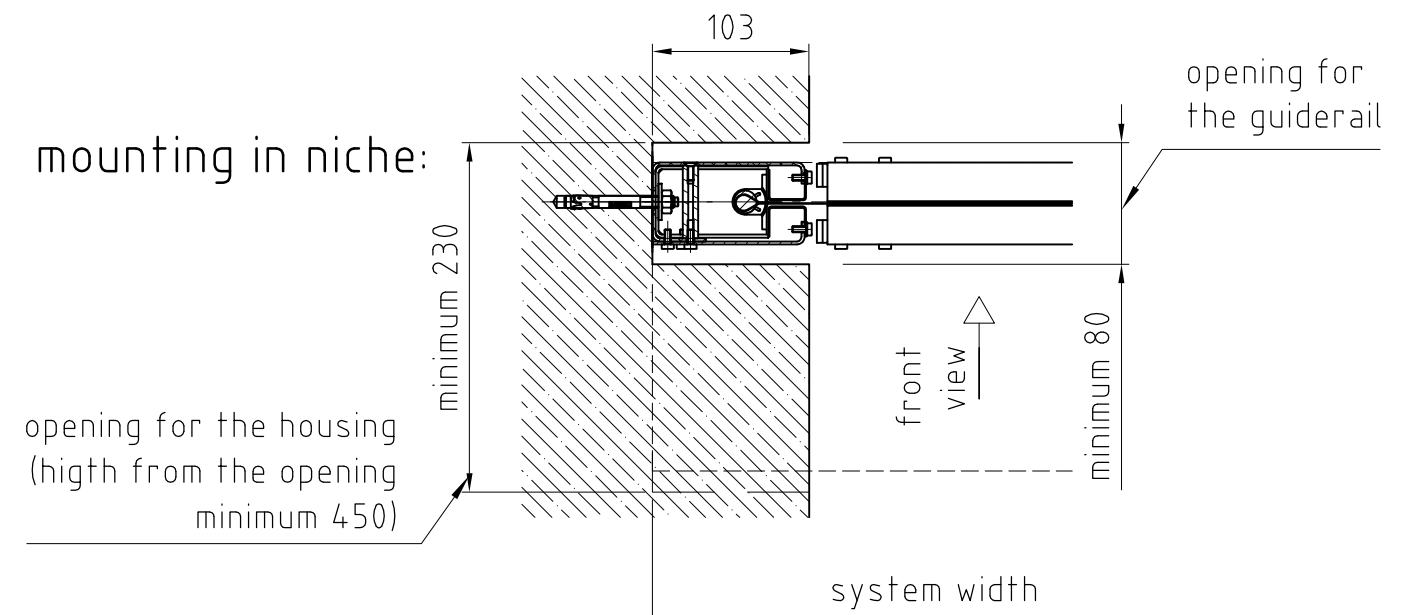
mounting in soffit:



mounting in front:



mounting in niche:



claus markisen Projekt GmbH
office Karlsruhe
Reitteilstraße 2
76297 Stufensee
Germany
telephone number: +49 7249 9456-0
mail: info@cm-brandschutz.de
http: www.cm-brandschutz.de

Typ RSA 77.1 - 220 und BSV-RS - 220			
System width: max. 7000		System height: max. 4500	
scale: 1:20	format: A3	drawing number: 074.10714.2	layout: 2
technical change reserved	all dimensions in mm	version:	date: 05.08.2015 name: AMartin